

## Above Counter Ceramic Bathroom Lavatory

## Specification & Installation Guide

### FEATURES

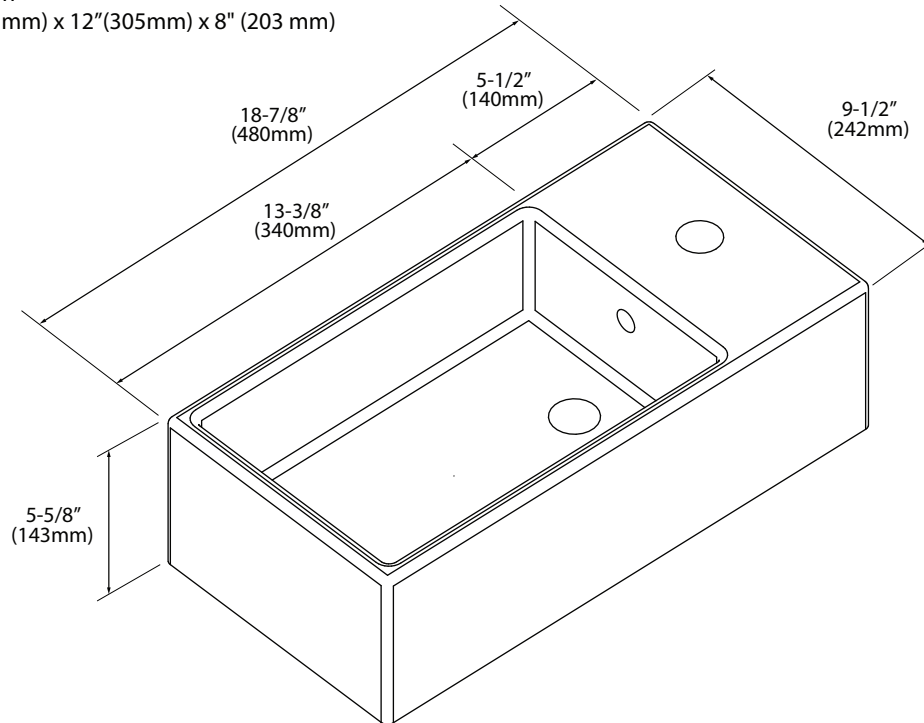
- Design: Rectangular / Contemporary
- Material: Vitreous China in white
- Type: Above counter lavatory finished on all sides
- Overflow: Yes
- Overall Size: 18-7/8" (480mm)W x 9-1/2" (242mm)D x 5-5/8" (143mm)H
- Cutout for installation on flat countertop: 17"(432mm) x 18"(457mm). Use lavatory to locate cut-out position
- Packaging Dimensions: 22" (559 mm) x 12"(305mm) x 8" (203 mm)
- Weight: 18 lbs. / 8 kgs.

### FINISHES

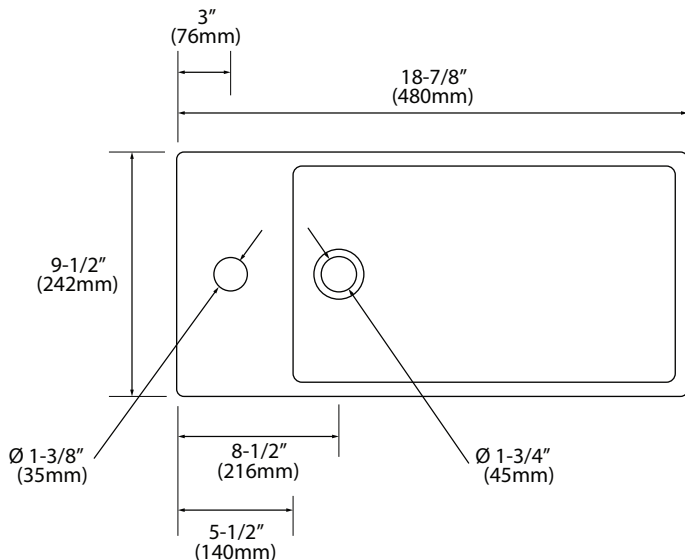
White (WH)

### COMPLIANCE

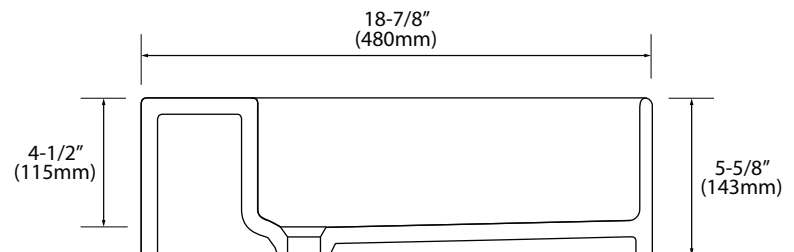
CSA B45.5-11/IAPMO Z124-11



**TOP VIEW**



**SIDE VIEW**



**For clarification, please contact Madeli Customer Care at (800)-819-6988 or (305)-718-8817 Ext. 1 or [service@madeli.com](mailto:service@madeli.com)**

All dimensions are approximate and subject to standard tolerance. Specifications subject to change without prior notice.