

Under Mount Sink

Specification & Installation Guide

FEATURES

- Under Mount Single Bowl Kitchen Sink
- 10 mm radius corners
- T-304 stainless steel
- 16 Gauge
- 18/10 Chrome-Nickel
- Offset drain holes.
- Padded, Undercoated and Sound Proofed.
- This drain hole accepts 3-1/2" U.S. drain fitting.
- Template and Clips Included.
- Fit in 48" Cabinet



ACCESSORIES

MODEL	DESCRIPTION	QUANTITY
SBG-64	Bottom Grid	2
SS-02	3-in-1 Basket strainer	2
SCD-1119	Colander	1
SCD-1319-KIT	Drying/Colander/Cutting Board Station	1

STANDARD PACKING

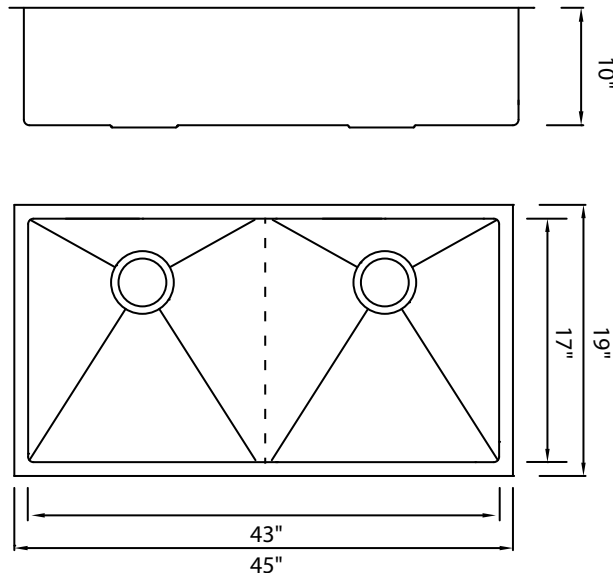
	PIECE	SIZE
Single Pack	1 piece	50" x 24" x 14"

GROSS WEIGHT

49 lbs. / 23 kgs.

COMPLIANCE

ASME A112.19.3-2008/
CSA B45.4-08



WARRANTY

Madeli Kitchen sinks are covered by a LIFETIME LIMITED WARRANTY against defects in material and workmanship. Problems attributable to abuse, misuse, improper installation, modification of original products, use of abrasive cleaning products, exposure to corrosive chemicals, lack of maintenance or accidental damage are not covered by this warranty. Liability under all warranties expressed or implied is limited to replacement of defective goods. Madeli L.L.C. is not responsible for any labor cost related to the replacement of damaged or defective material.

For clarification, please contact Madeli Customer Care at (800)-819-6988 or (305)-718-8817 Ext. 1

All dimensions are approximate and subject to standard tolerance. Specifications subject to change without prior notice.