

Ceramic Under Mount Bathroom Sink

Specification & Installation Guide

FEATURES

- Design: Oval / Contemporary
- Material: Vitreous China
- Type: Under mount
- Overflow: Yes
- Overall size: 19-1/4"(489 mm)L x 16-1/8"(410 mm)W x 7-3/4"(197 mm)H
- Cut-Out size: 17-1/2"(445 mm)L x 14-1/4"(362 mm)W *Use template
- Basin inside depth: 6" (152 mm)
- Drain hole: Diameter 1-3/4" (45 mm)
- Drain hole: No Deck or Wall mounted faucet
- Basin clamp assembly included
- Packaging Dimensions: 22"(559 mm) x 18"(457 mm) x 7" (178 mm)
- Weight: 19 lbs. / 8.64 kgs.

FINISHES

White and Biscuit

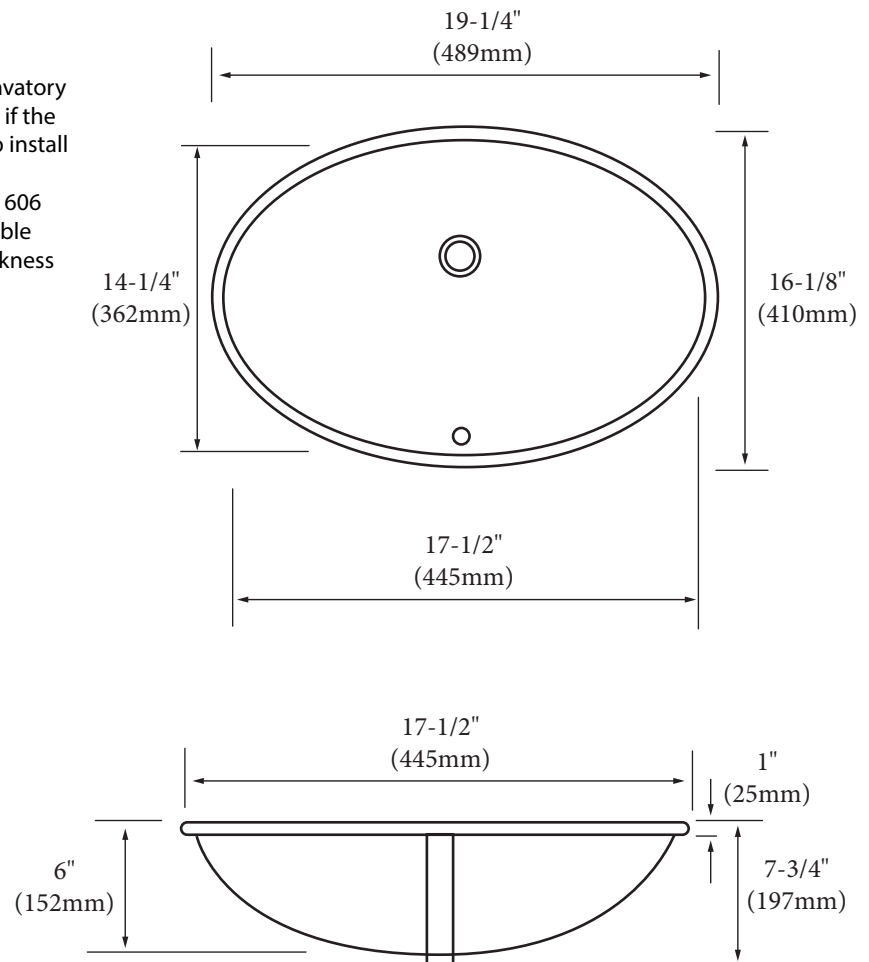
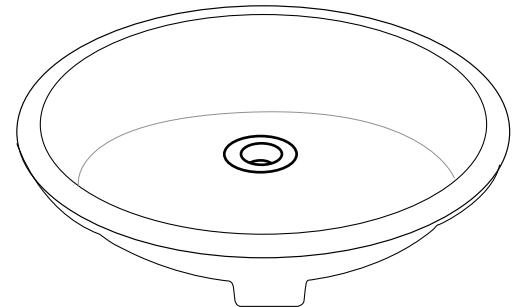
COMPLIANCE

CSA B45.5-11/IAPMO Z124-11

INSTALLATION

Ensure template dimensions correspond to those of the lavatory being installed. Madeli is not responsible for cutout errors if the incorrect template is used. Follow the installation guide to install this product.

Lavatory will comply with ADA when installed per section 606 Lavatories and Sinks of the 2012 ADA standards for Accessible Design. For the under-mount installation, countertop thickness cannot be over 1" (25 mm) for ADA compliance.



For clarification, please contact Madeli Customer Care at (800)-819-6988 or (305)-718-8817 Ext. 1

All dimensions are approximate and subject to standard tolerance. Specifications subject to change without prior notice.