

Sorrento - 39"

Specification & Installation Guide

Features

- Free standing 39" vanity : 33-11/16"(855mm)H x 18"(456mm)D x 35-1/4" (895mm)W. Overall Width: 38-3/8" (975mm)
- Furniture grade plywood layered with solid wood veneer and protected with several coats of polyurethane.
- Matching finish inside out
- Two soft-close doors
- Interior bottom drawer with full extension soft-close European hardware
- Handles: Polished chrome finish (Stainless steel finish optional)

Colors/Finishes

- Glossy White (GW)
- Walnut (WA)

Top/Basin options

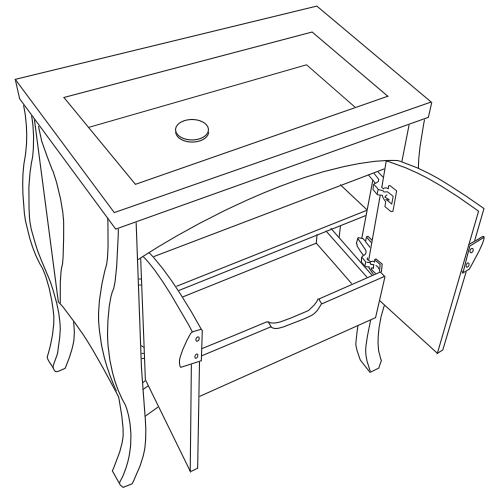
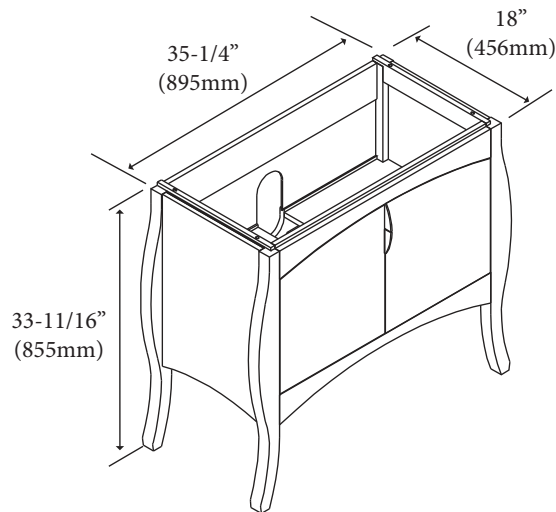
- White or soft Grey Quartzstone™ top & white under mount ceramic basin
- Glossy White X-Stone top/basin
- Ceramic basin
- Tempered glass top/basin
- Glossy or Matte White X-Stone flat top
- Glossy White or Walnut wood countertop

Package Dimension

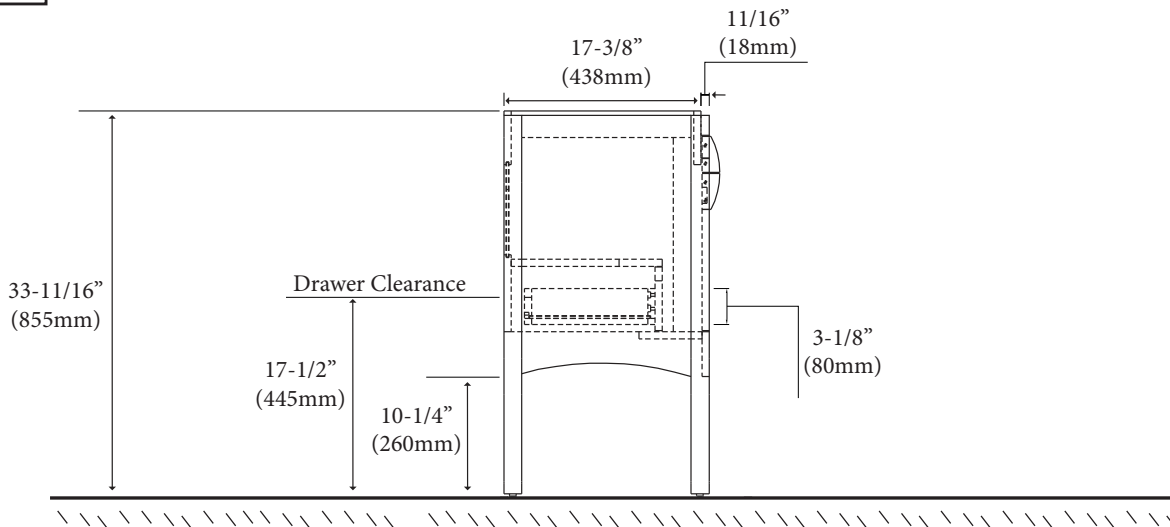
41" x 22" x 36"

Gross Weight

76 lbs / 34.55 kgs



SIDE VIEW



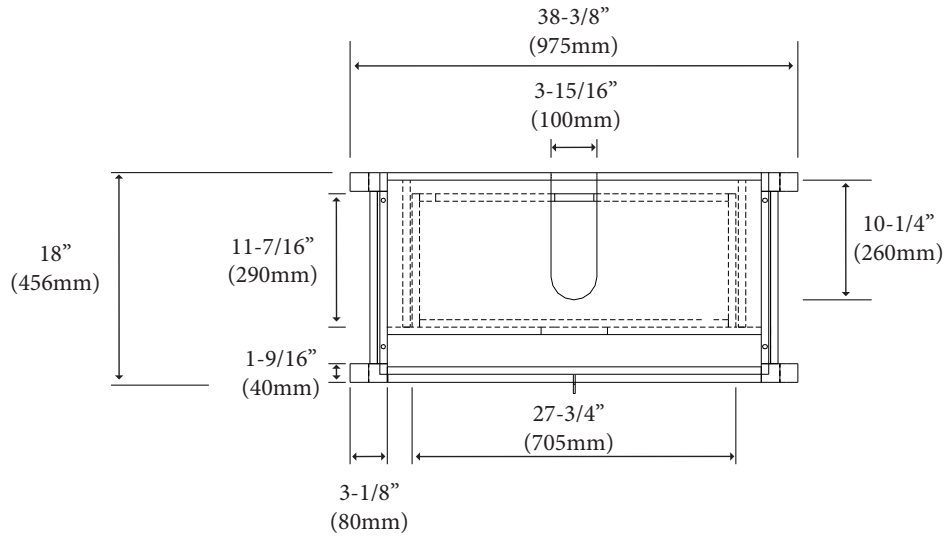
For clarification, please contact Madeli Customer Care at (800)-819-6988 or (305)-718-8817 Ext. 1

All dimensions are approximate and subject to standard tolerance. Specifications subject to change without prior notice.

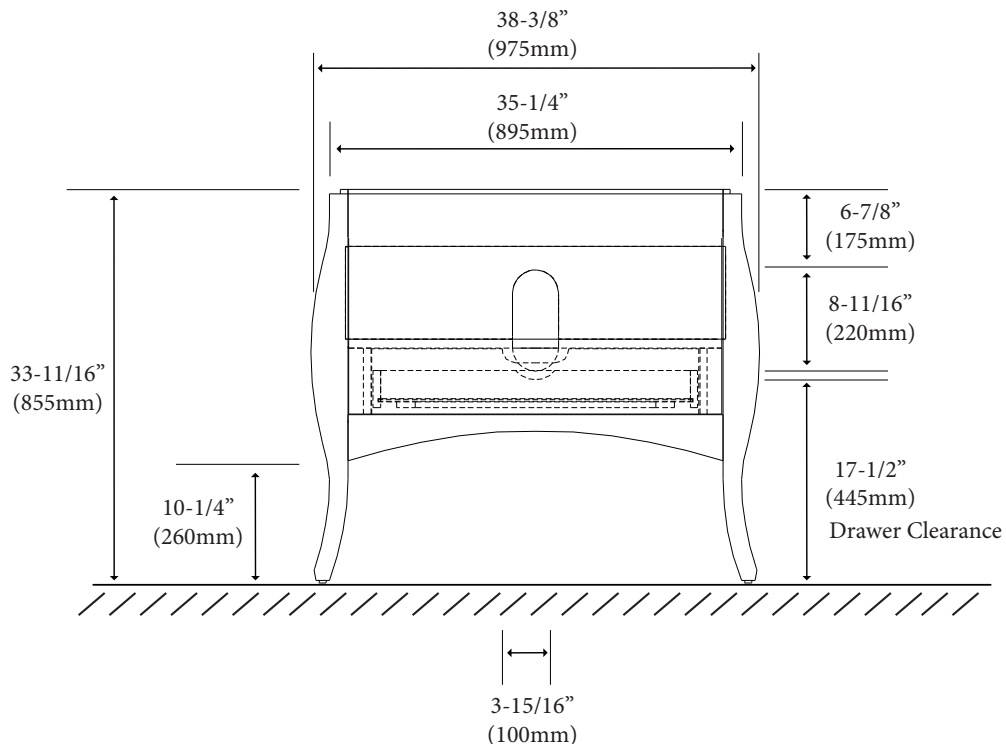
Sorrento - 39"

Specification & Installation Guide

TOP VIEW



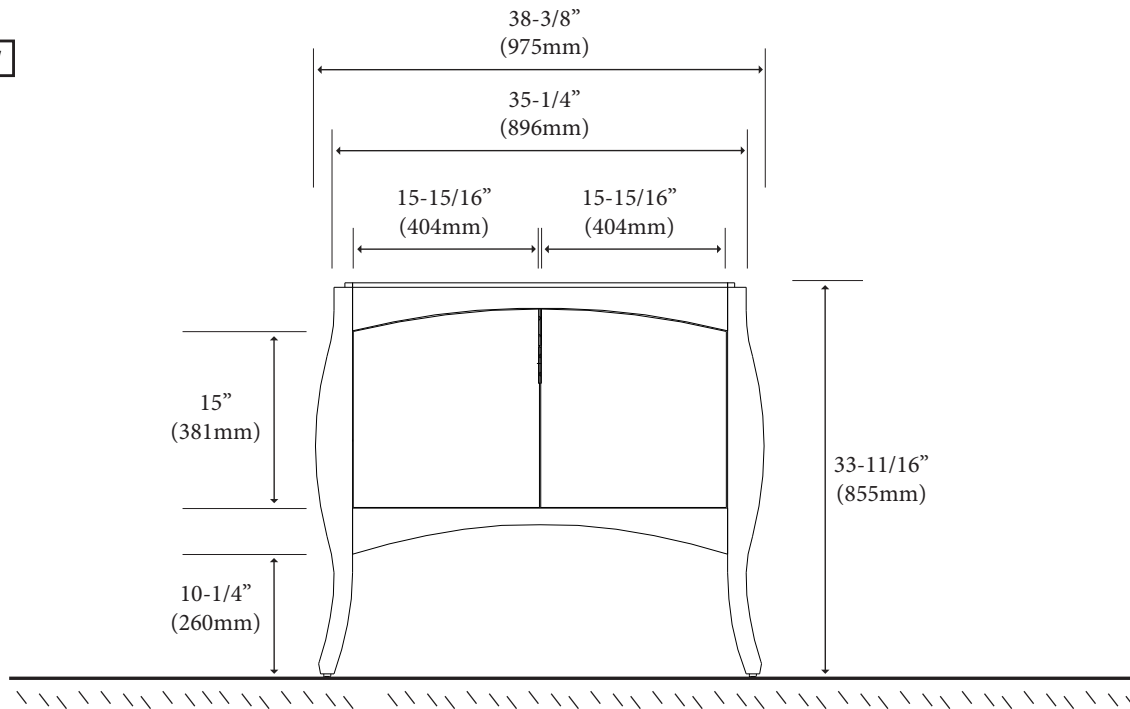
BACK VIEW



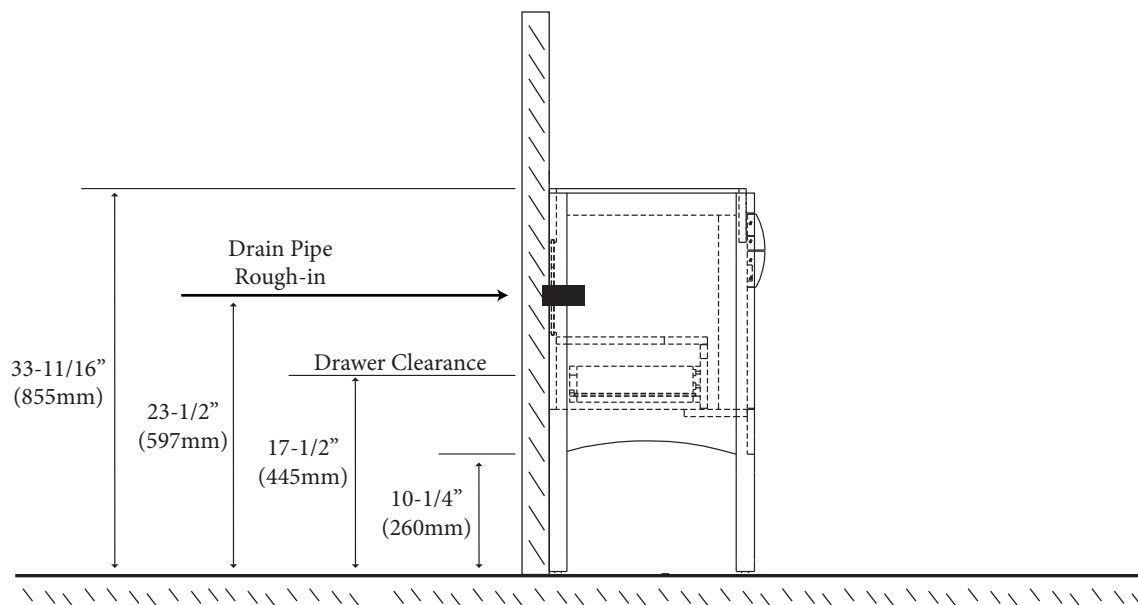
Sorrento - 39"

Specification & Installation Guide

FRONT VIEW



ROUGH-IN DIMENSION



For clarification, please contact Madeli Customer Care at (800)-819-6988 or (305)-718-8817 Ext. 1
All dimensions are approximate and subject to standard tolerance. Specifications subject to change without prior notice.