

Euro - 72"

Specification & Installation Guide

Features

- Wall hung modular 72" vanity: Two 24" vanities and one 24" bridge. Assembly required.
- Overall size: 17-1/8"(435mm)H x 17-3/4"(450mm)D x 70-7/8"(1800mm)W
- Furniture grade plywood layered with solid wood veneer and protected with several coats of polyurethane.
- Matching finish inside out
- Three fully adjustable drawers and one interior drawer with full extension soft-close European hardware.
- Two interior magazines racks.
- Side glass retainers.

Colors/Finishes

- Ash Grey (AG)
- Glossy White (GW)
- Walnut (WA)

Top/Basin options

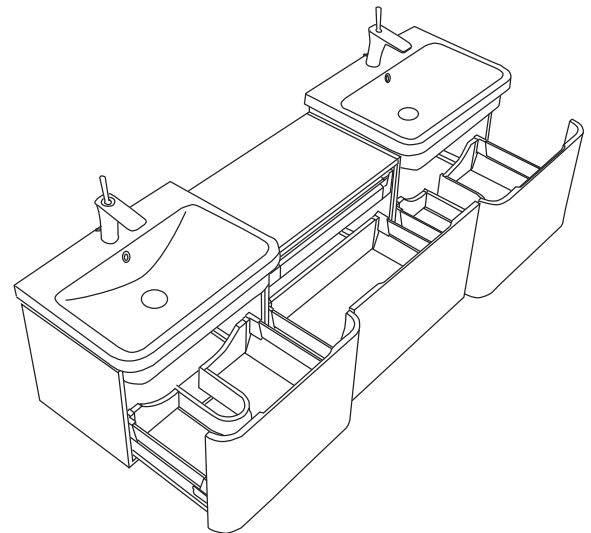
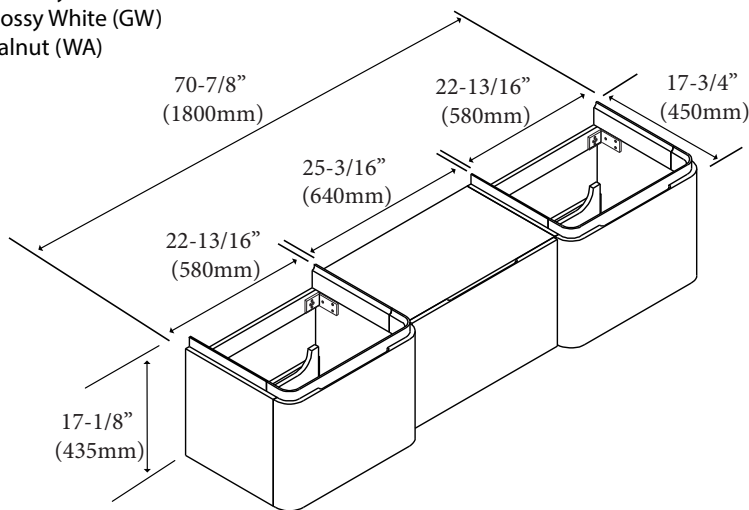
- Glossy White X-Stone top/basin
- Ceramic basin

Package Dimension

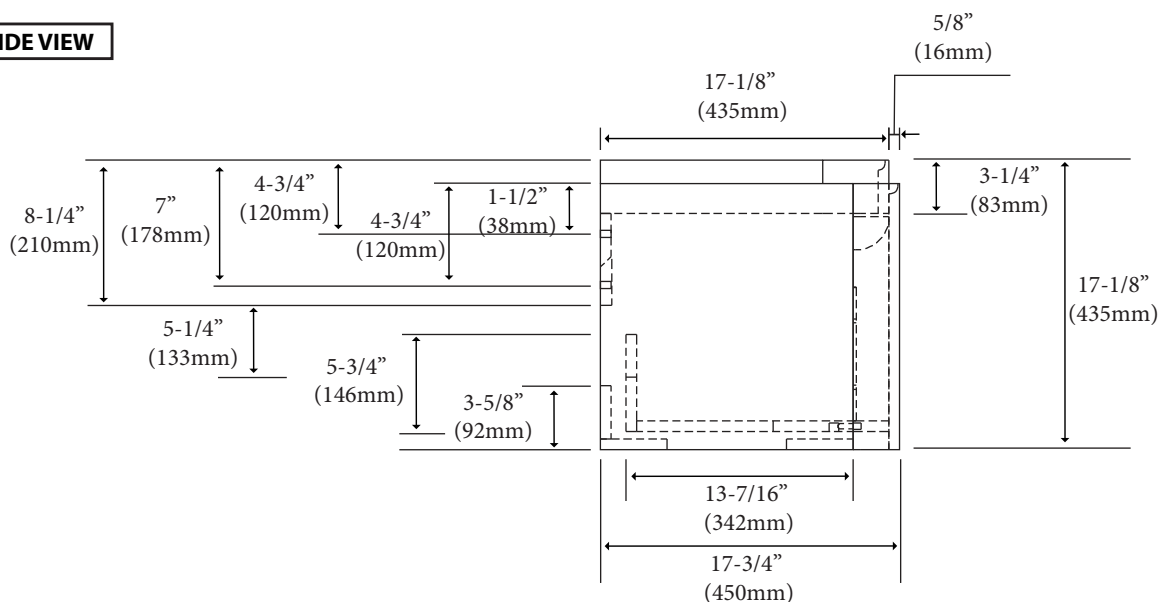
- ① 25" x 21" x 20" (x2)
- ② 28" x 19" x 18" (x1)

Gross Weight

143 lbs / 314.5 kgs



SIDE VIEW



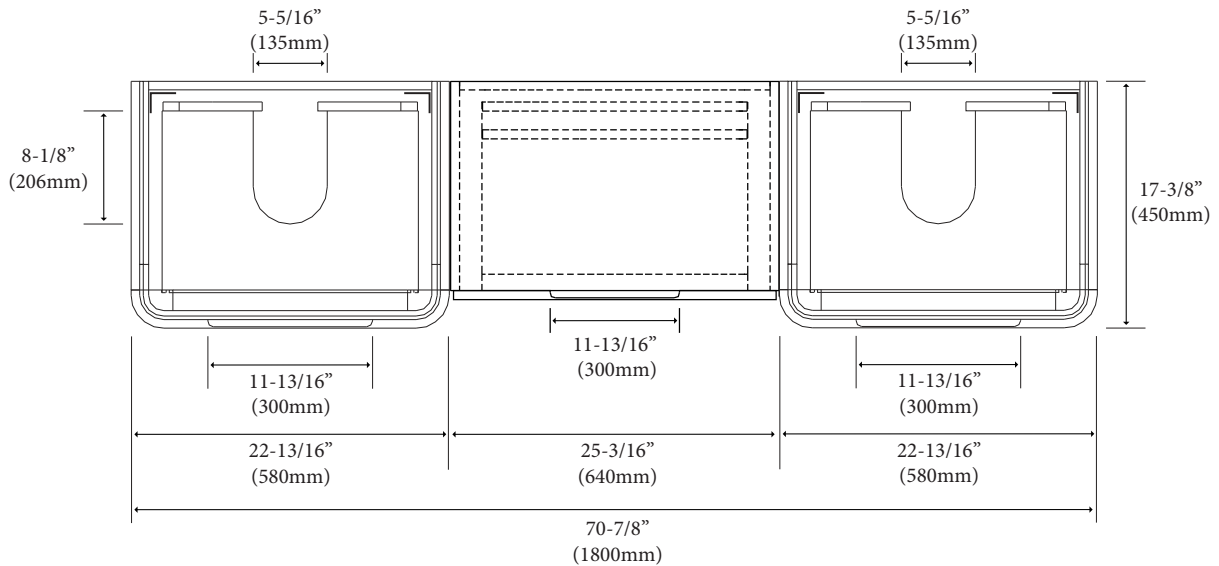
For clarification, please contact Madeli Customer Care at (800)-819-6988 or (305)-718-8817 Ext. 1

All dimensions are approximate and subject to standard tolerance. Specifications subject to change without prior notice.

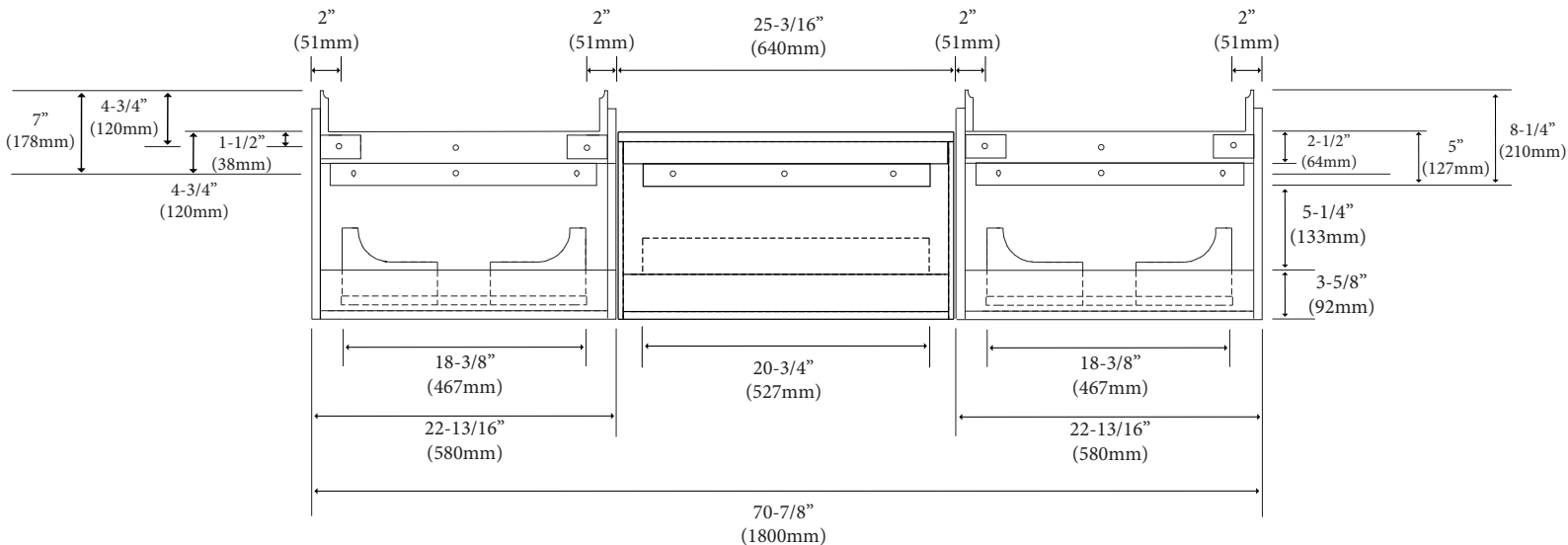
Euro - 72"

Specification & Installation Guide

TOP VIEW

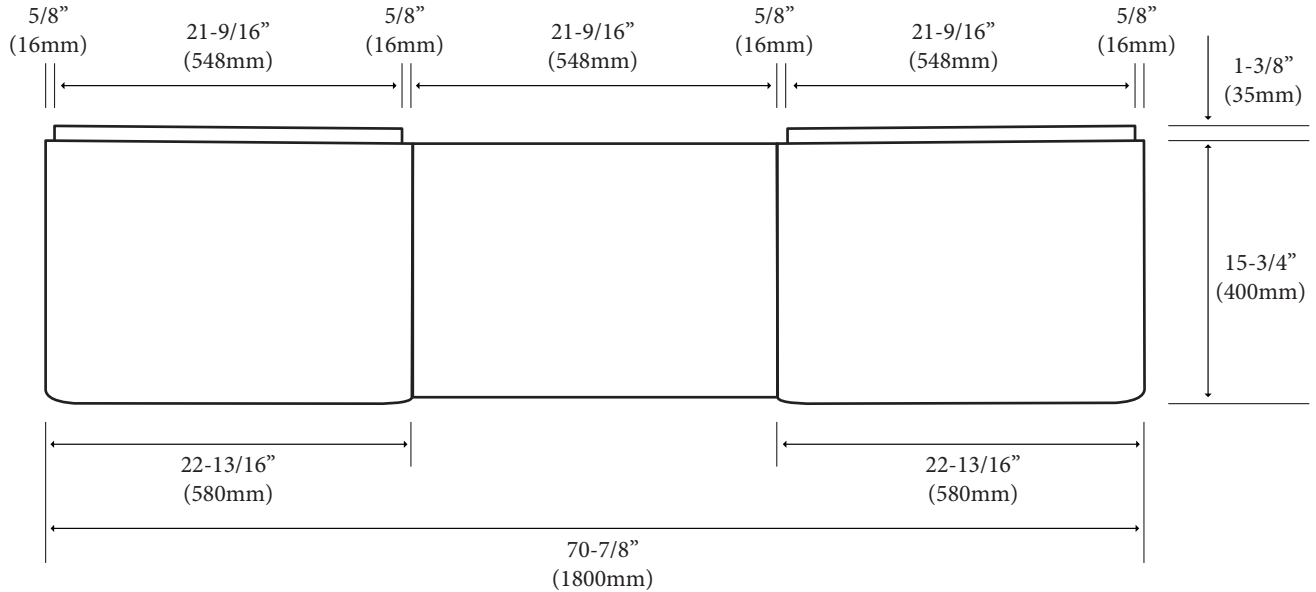


BACK VIEW



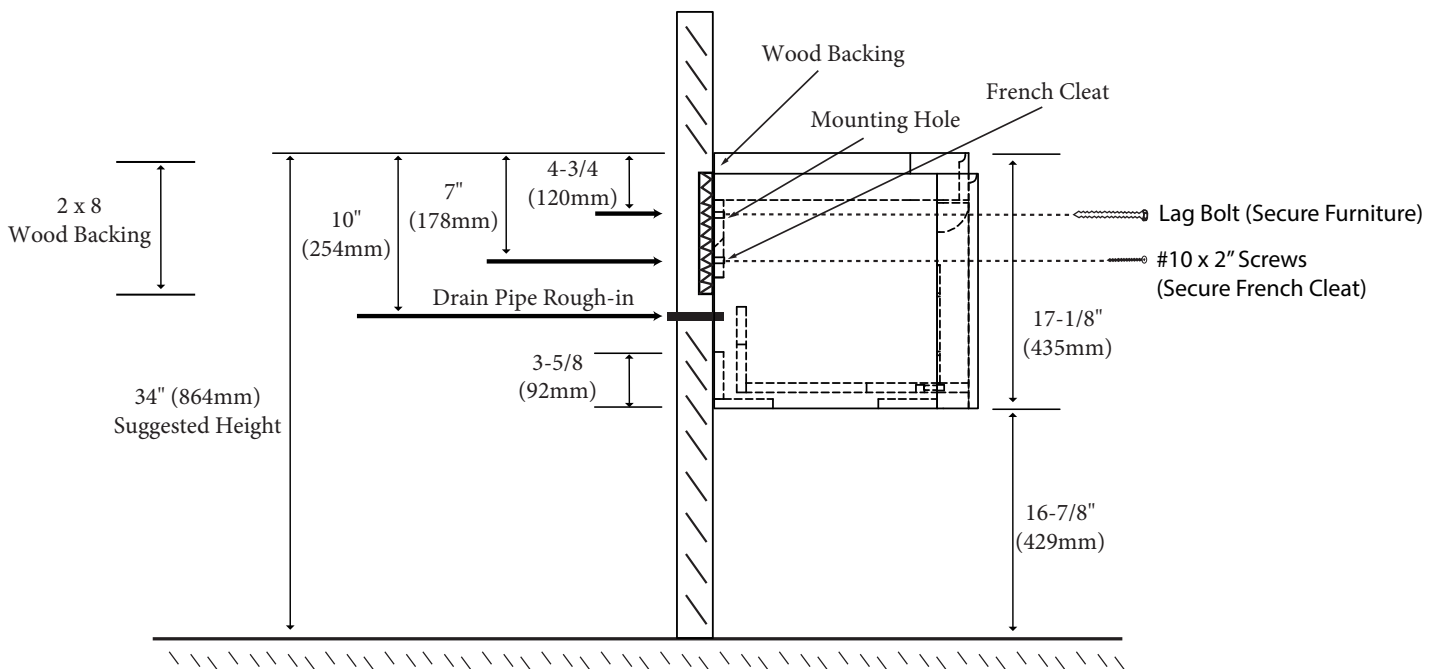
Euro - 72" Specification & Installation Guide

FRONT VIEW



TYPICAL INSTALLATION

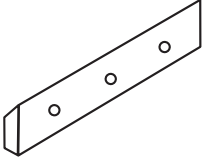




The typical dimensions shown will result in vanity cabinet height of 34" (864mm). Depending on the countertop selected, the total height will vary from 35-3/4" (908mm) to 36" (915mm). If alternate heights are desired, adjust the rough-in and backing material heights using the dimensions provided.



Euro - 72"

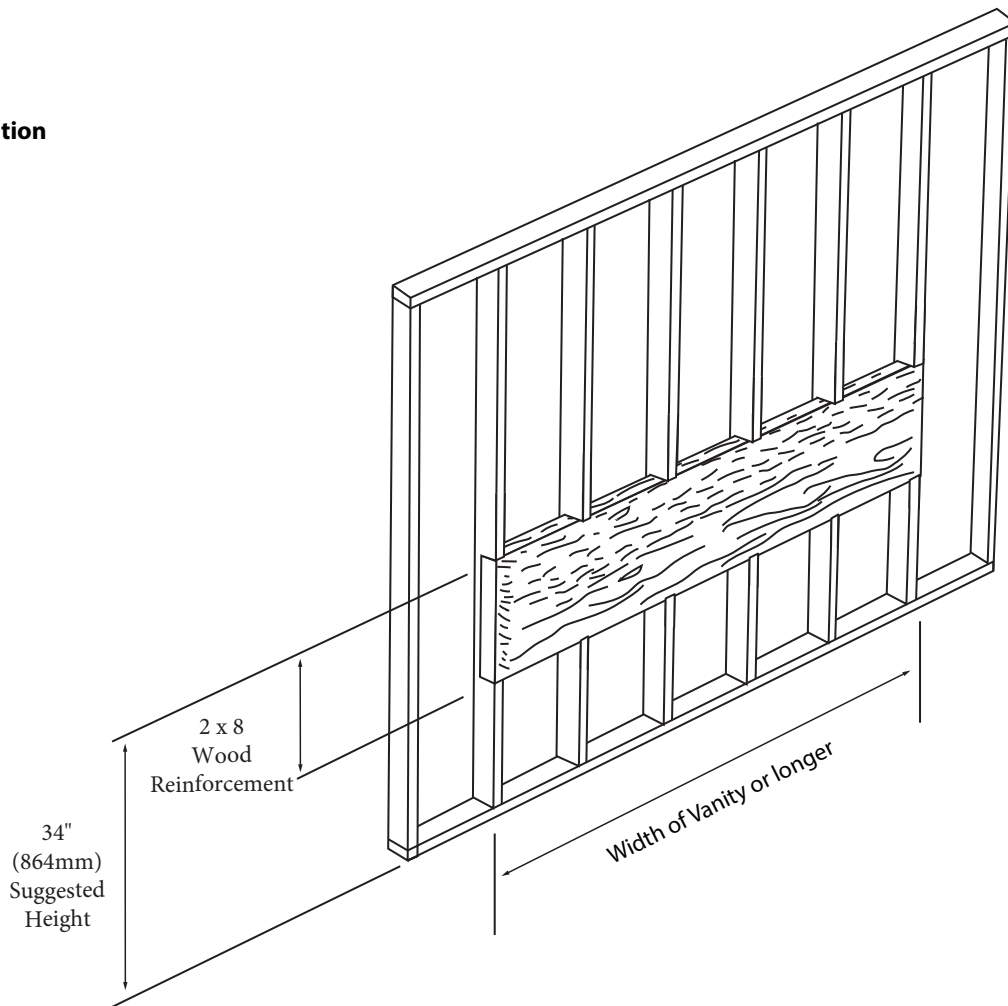
Specification & Installation Guide

INSTALLATION INSTRUCTIONS

Item	French Cleat	#10 x 2" Screws	Anchors	Screw	Silicone (not included)
Qty.	3	9	9	6	1
					

STEP 1

Wall Preparation



For clarification, please contact Madeli Customer Care at (800)-819-6988 or (305)-718-8817 Ext. 1

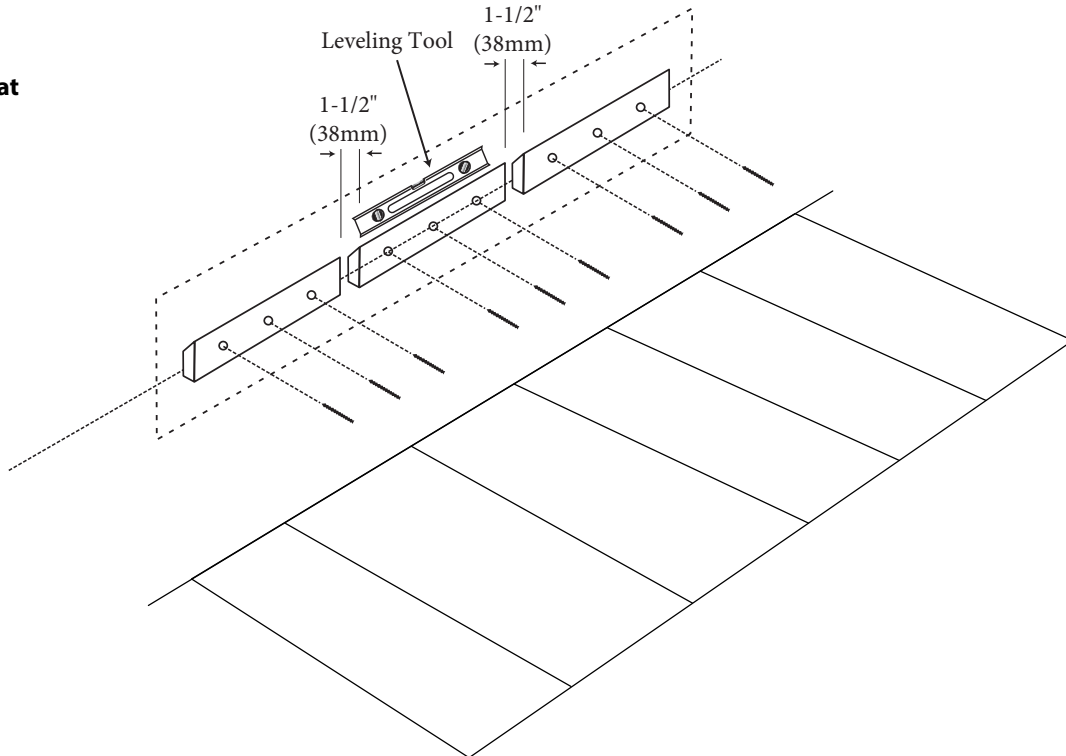
All dimensions are approximate and subject to standard tolerance. Specifications subject to change without prior notice.

Euro - 72"

Specification & Installation Guide

STEP 2

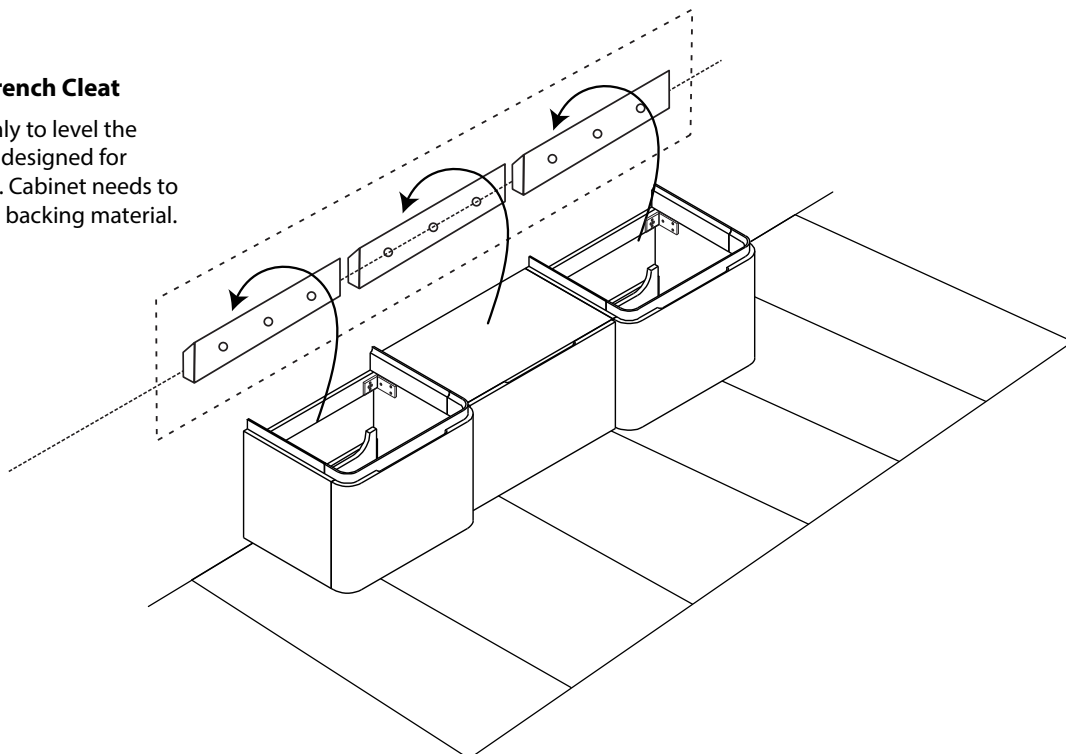
Install French Cleat



STEP 3

Place vanity on French Cleat

French Cleats are only to level the vanity. They are not designed for permanent support. Cabinet needs to be secured to wood backing material.

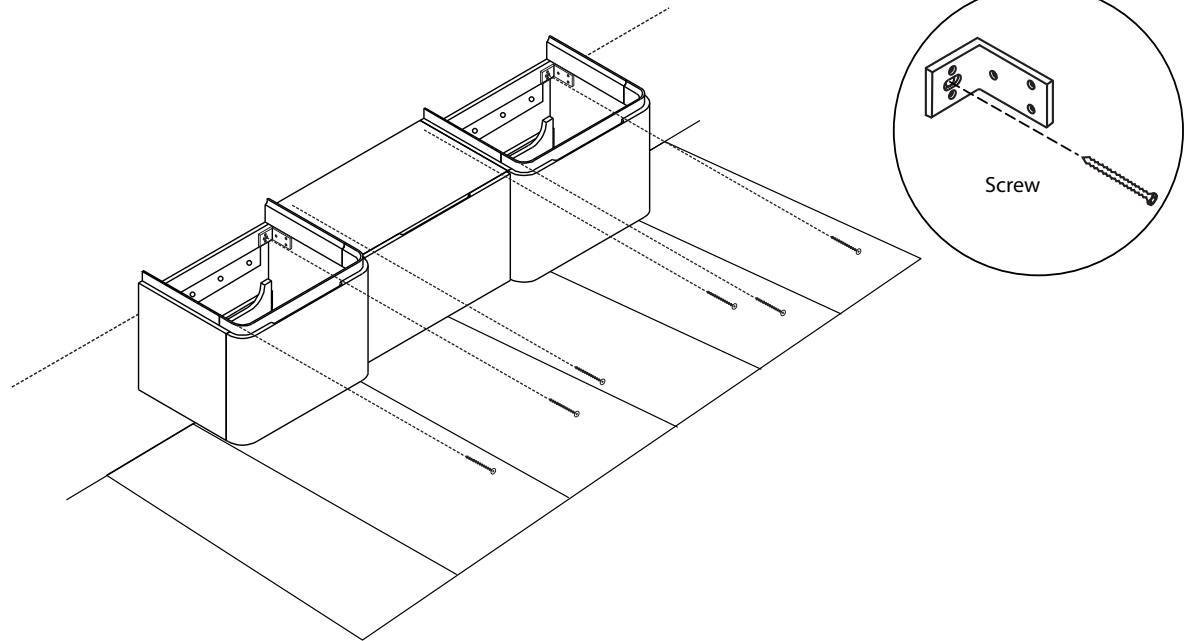


Euro - 72"

Specification & Installation Guide

STEP 4

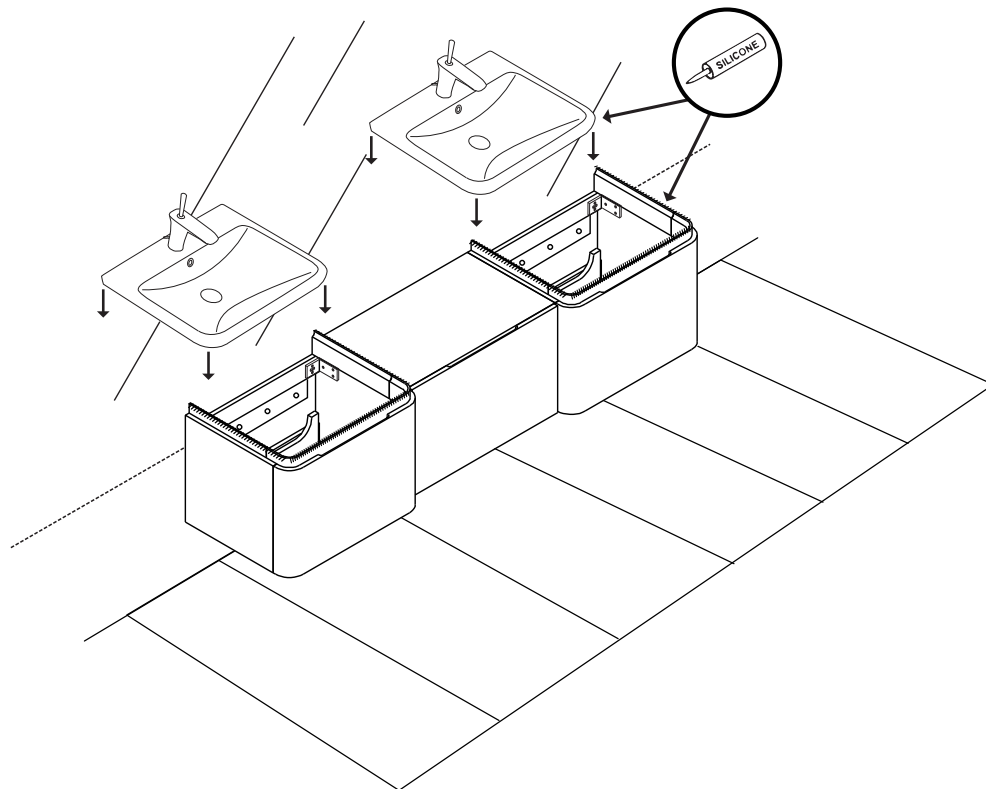
Secure vanity to wood reinforcement backing



STEP 5

Install countertop with Silicone

OPTION 1:
Install basins with silicone

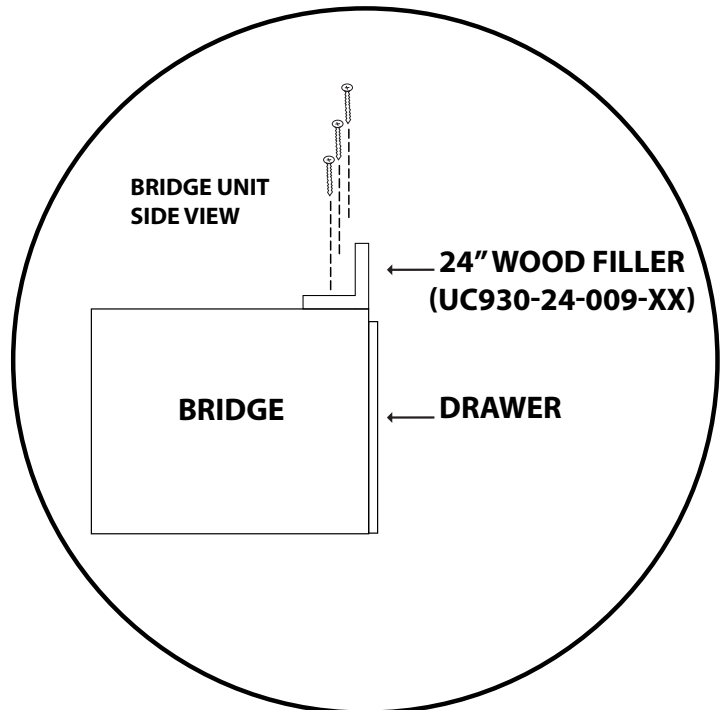
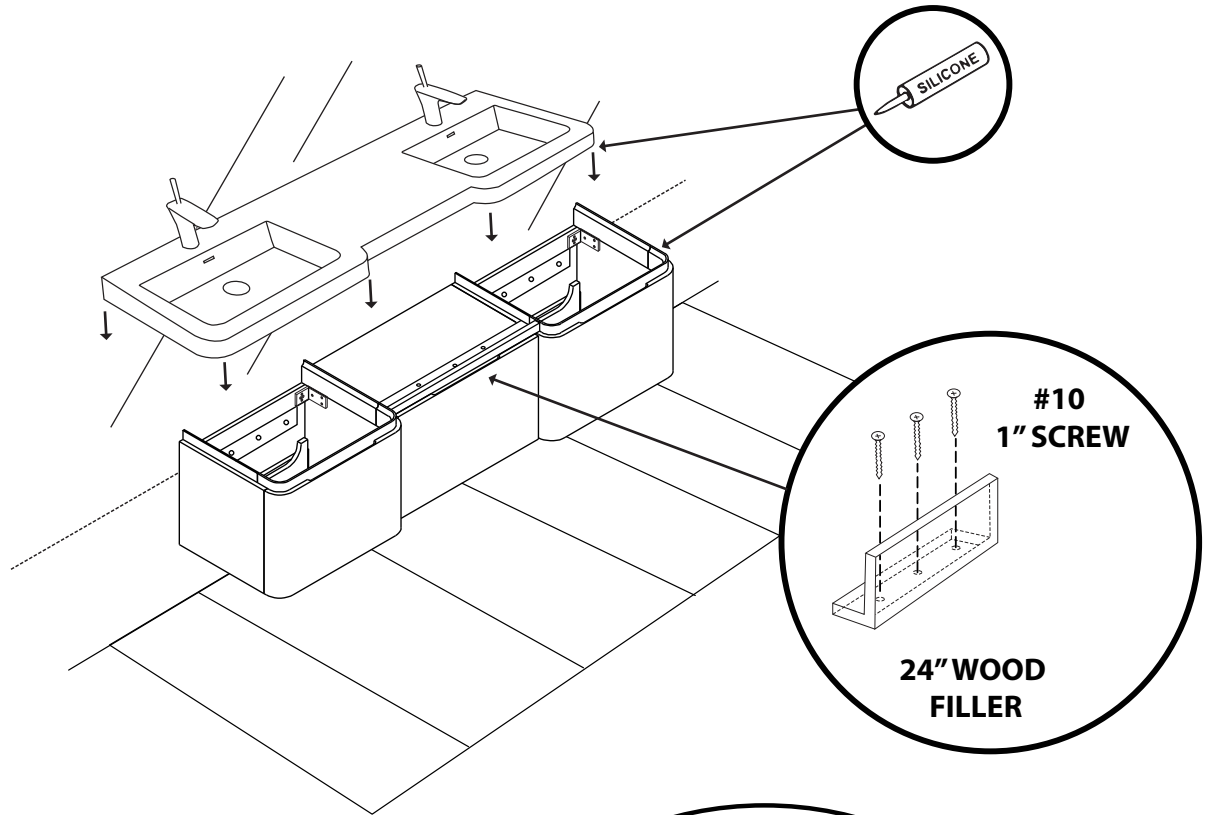


Euro - 72"

Specification & Installation Guide

STEP 5

OPTION 2:
Install 72" X-Stone™
top/basin



For clarification, please contact Madeli Customer Care at (800)-819-6988 or (305)-718-8817 Ext. 1
All dimensions are approximate and subject to standard tolerance. Specifications subject to change without prior notice.