

## Euro - 50"

## Specification & Installation Guide

### Features

- Wall hung modular 50" vanity: one 24" vanity and two 12" bridge. Assembly required.
- Overall size: 17-1/8"(435mm)H x 17-3/4"(450mm)D x 49-9/16"(1260mm)W
- Furniture grade plywood layered with solid wood veneer and protected with several coats of polyurethane.
- Matching finish inside out
- Three fully adjustable drawers and two interior drawer with full extension soft-close European hardware
- Interior magazine rack
- Side Glass Retainer

### Colors/Finishes

- Ash Grey (AG)
- Glossy White (GW)
- Walnut (WA)

### Top/Basin options

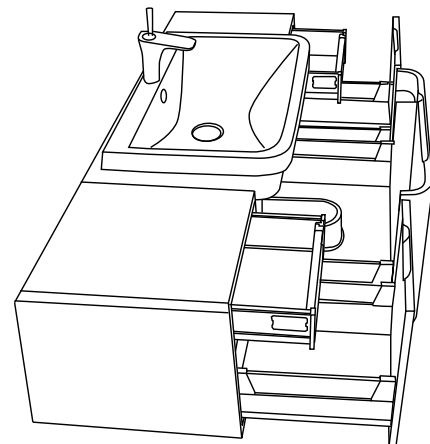
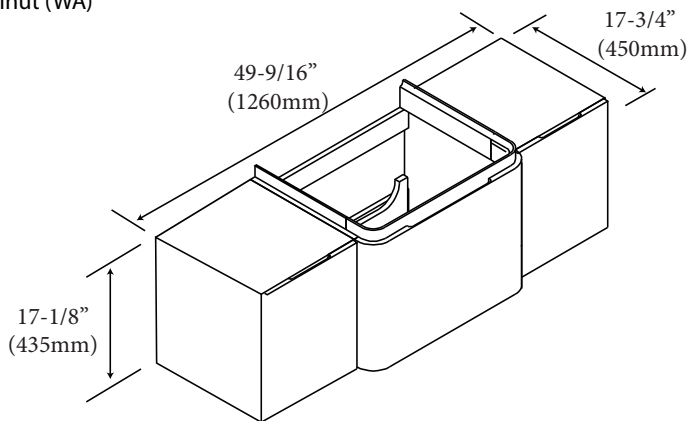
- Ceramic basin

### Package Dimension

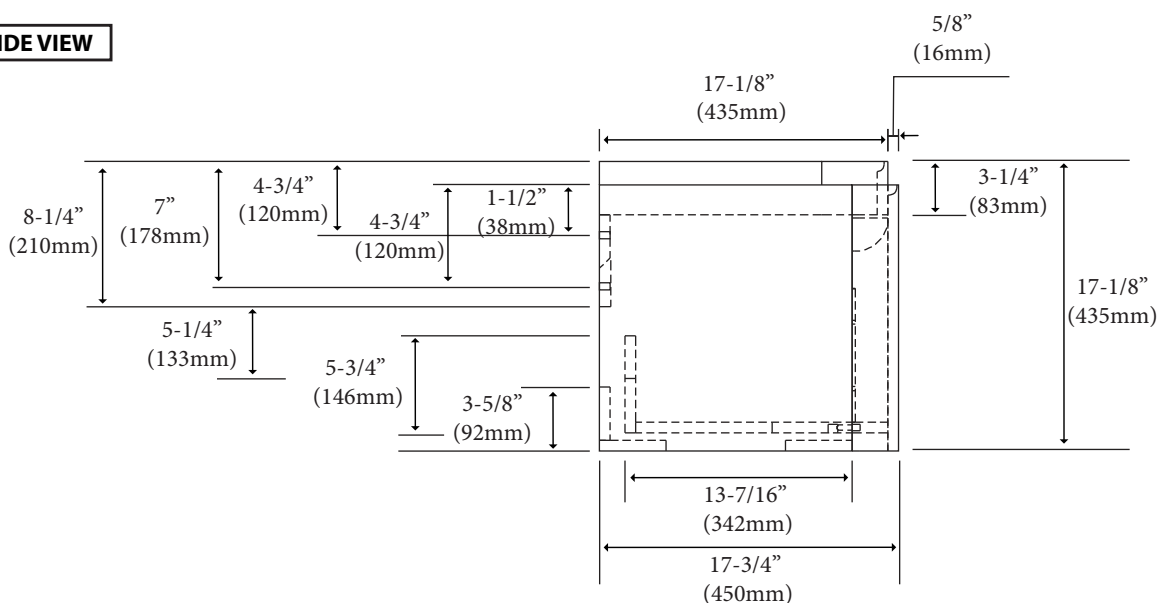
- ① 25" x 21" x 20" (x1)
- ② 18" x 16" x 18" (x2)

### Gross Weight

119 lbs / 261.8 kgs (3 boxes)



### SIDE VIEW



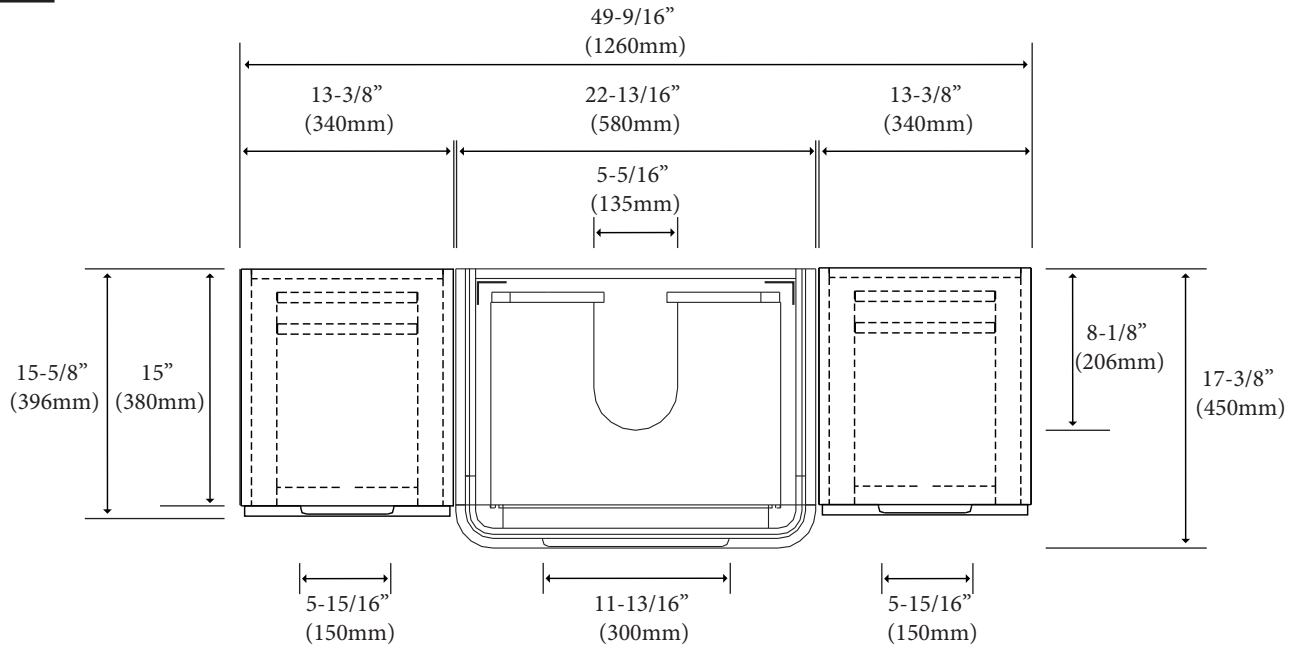
For clarification, please contact Madeli Customer Care at (800)-819-6988 or (305)-718-8817 Ext. 1

All dimensions are approximate and subject to standard tolerance. Specifications subject to change without prior notice.

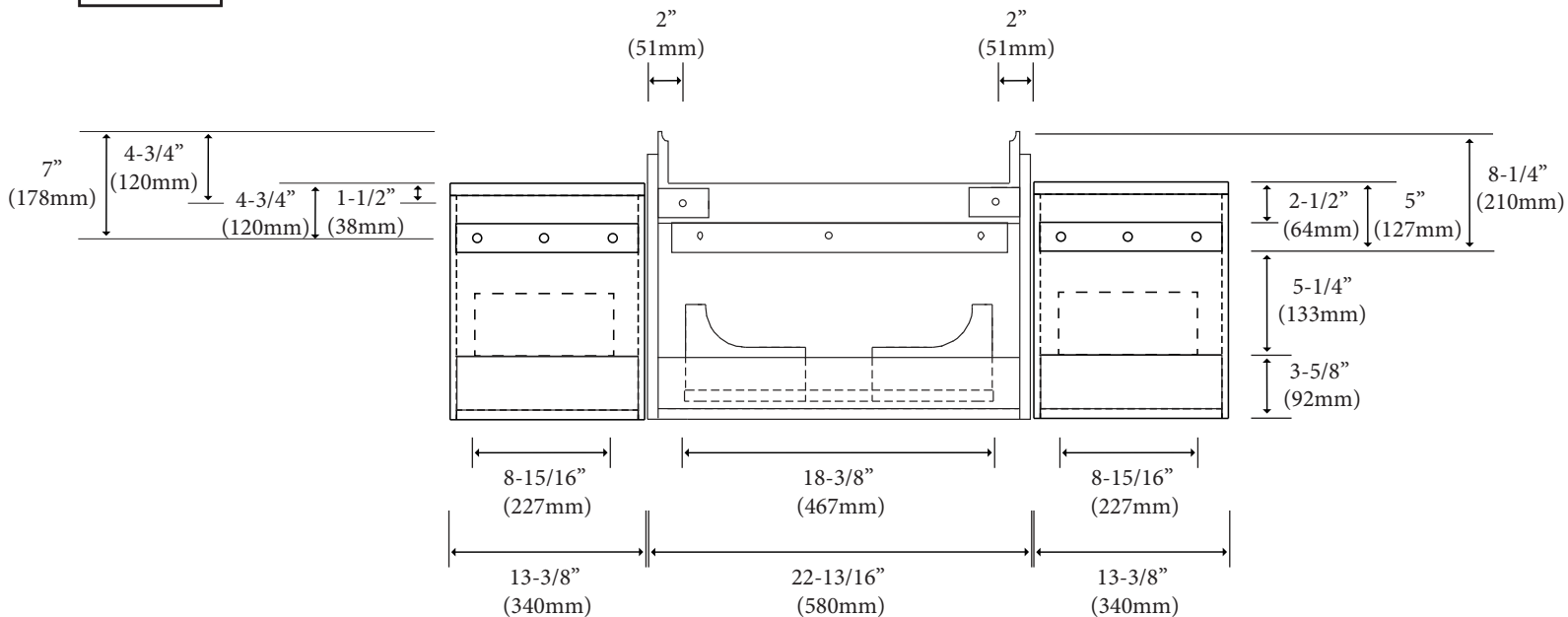
**Euro - 50"**

**Specification & Installation Guide**

**TOP VIEW**

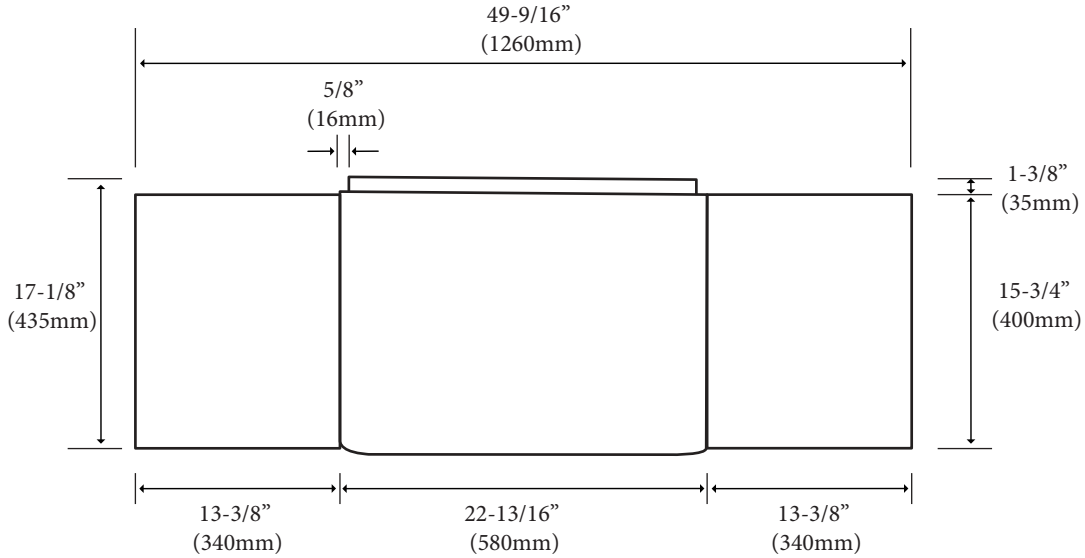


**BACK VIEW**



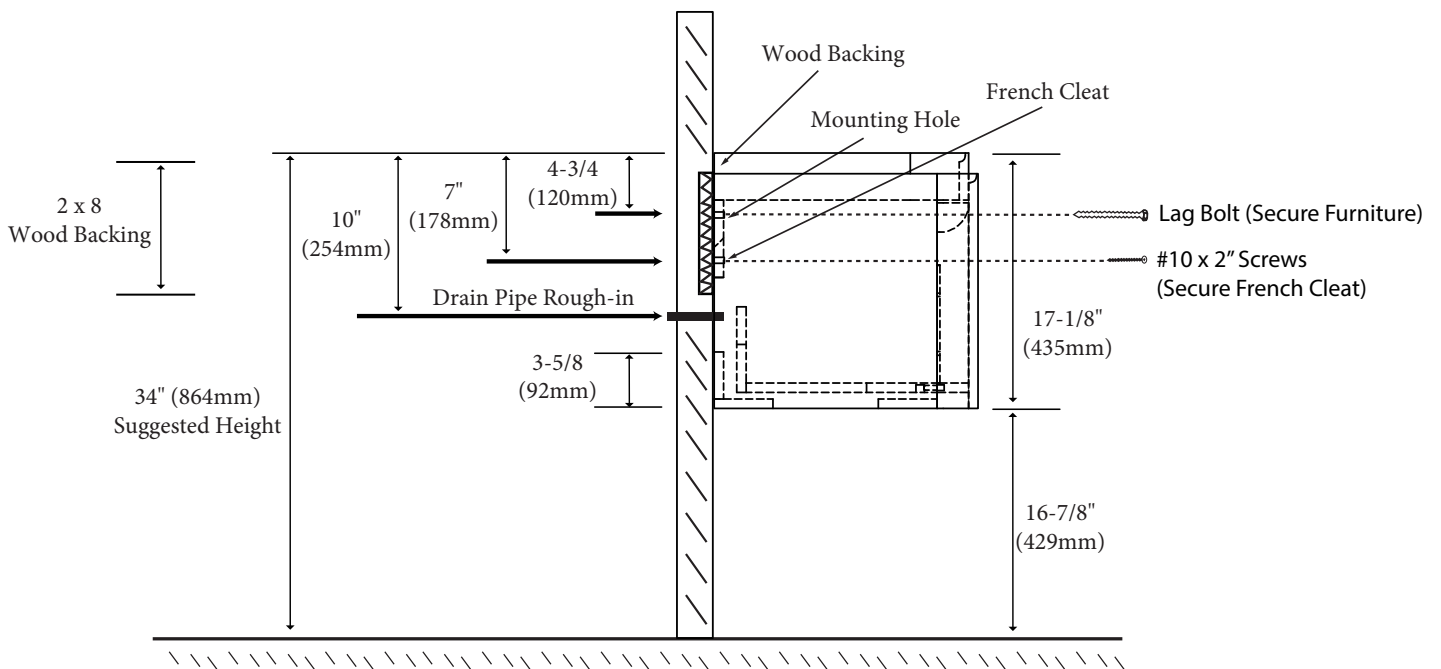
**Euro - 50"** **Specification & Installation Guide**

**FRONT VIEW**



**TYPICAL INSTALLATION**

The typical dimensions shown will result in vanity cabinet height of 34" (864mm). Depending on the countertop selected, the total height will vary from 35-3/4" (908mm) to 36" (915mm). If alternate heights are desired, adjust the rough-in and backing material heights using the dimensions provided.

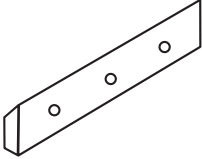






**For clarification, please contact Madeli Customer Care at (800)-819-6988 or (305)-718-8817 Ext. 1**  
 All dimensions are approximate and subject to standard tolerance. Specifications subject to change without prior notice.

## Euro - 50"

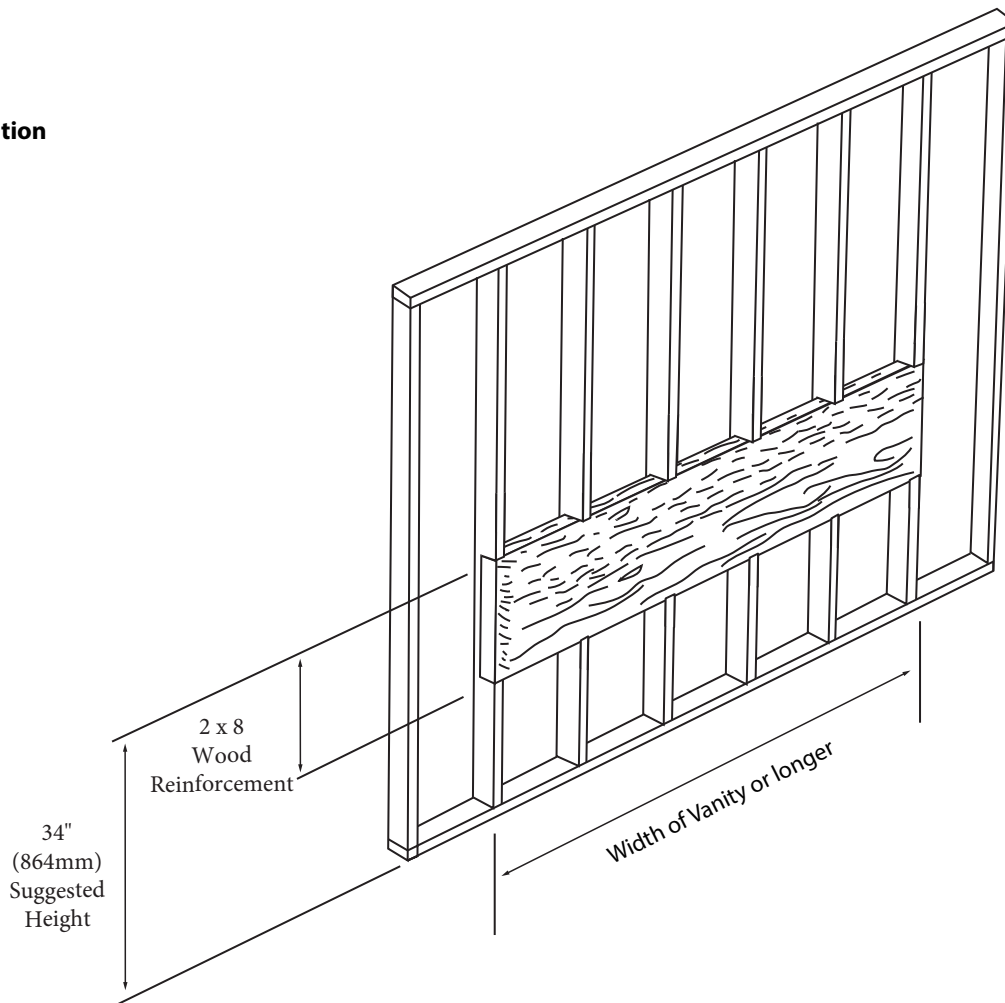
## Specification & Installation Guide

### INSTALLATION INSTRUCTIONS

Item	French Cleat	#10 x 2" Screws	Anchors	Screw	Silicone (not included)
Qty.	3	9	9	6	1
					

### STEP 1

#### Wall Preparation



**For clarification, please contact Madeli Customer Care at (800)-819-6988 or (305)-718-8817 Ext. 1**

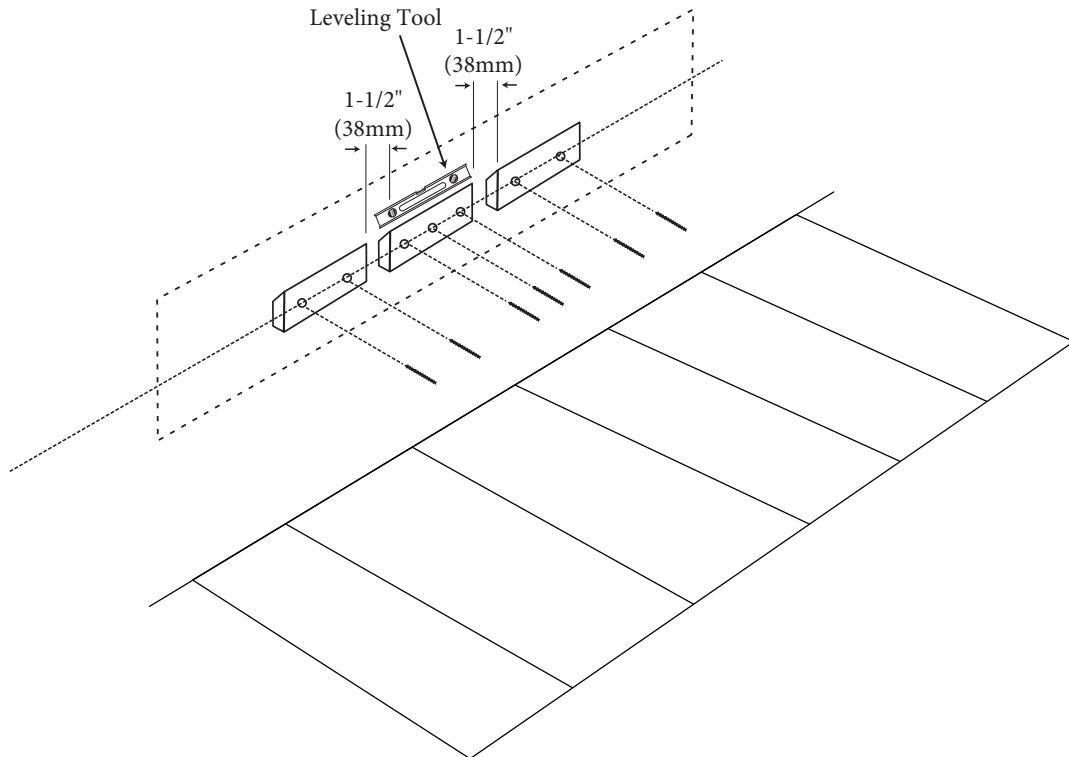
All dimensions are approximate and subject to standard tolerance. Specifications subject to change without prior notice.

## Euro - 50"

## Specification & Installation Guide

### STEP 2

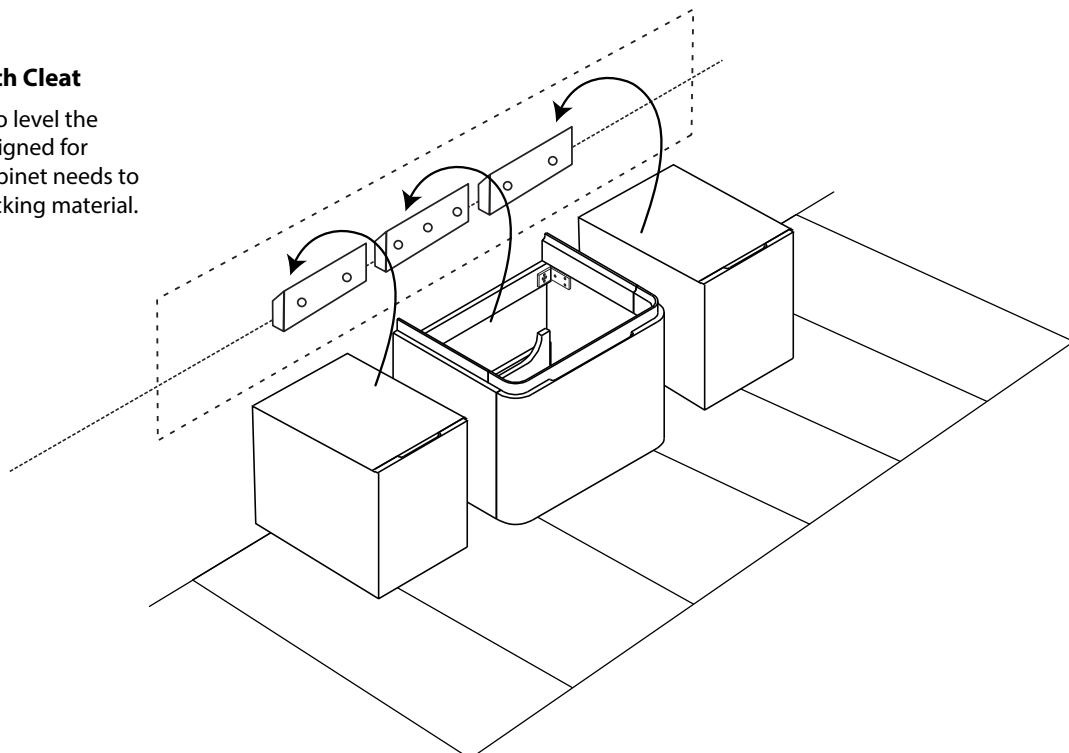
#### Install French Cleat



### STEP 3

#### Place vanity on French Cleat

French Cleats are only to level the vanity. They are not designed for permanent support. Cabinet needs to be secured to wood backing material.

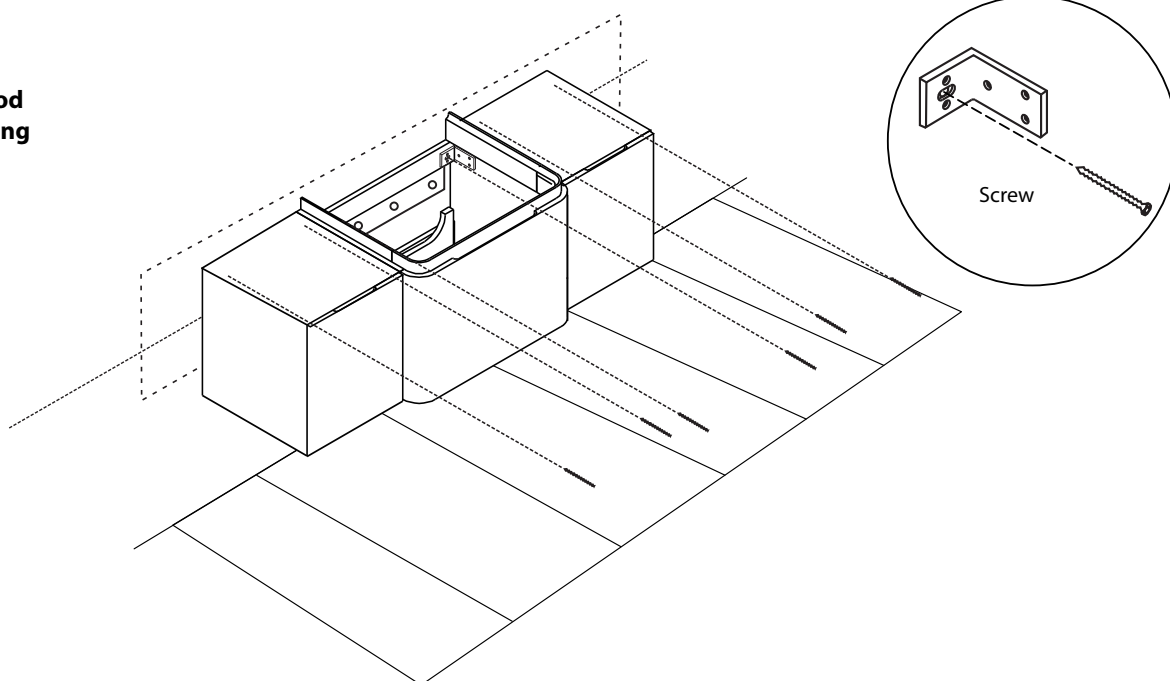


## Euro - 50"

## Specification & Installation Guide

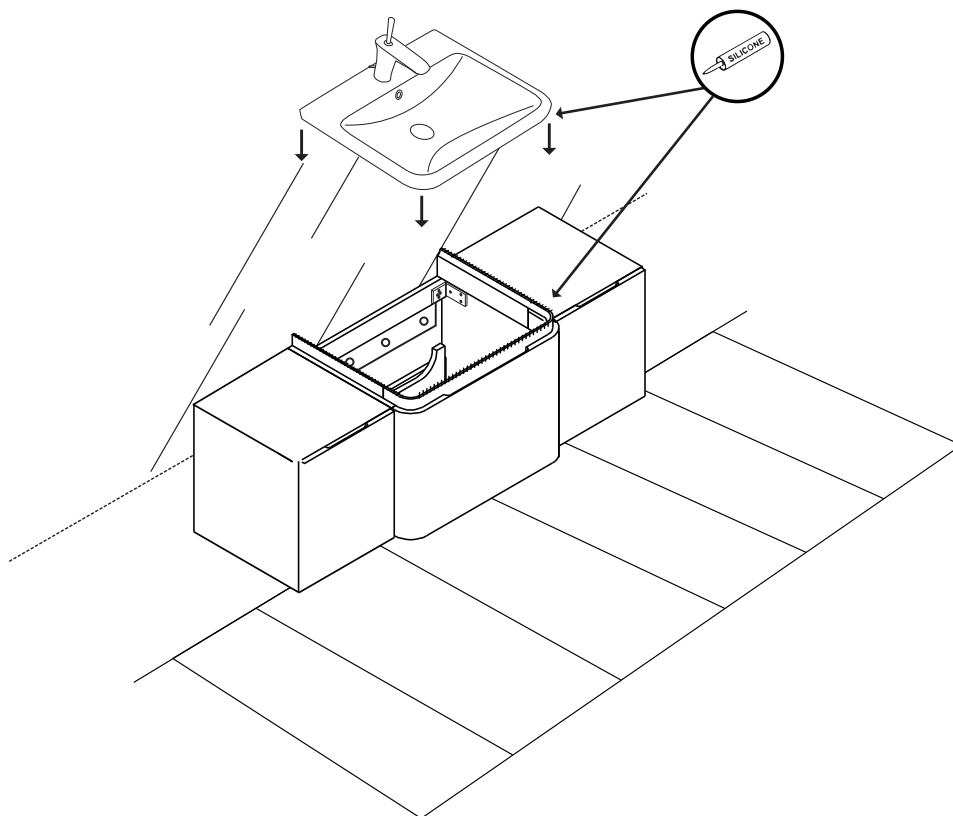
### STEP 4

Secure vanity to wood reinforcement backing



### STEP 5

OPTION 1:  
Install basin  
with silicone



For clarification, please contact Madeli Customer Care at (800)-819-6988 or (305)-718-8817 Ext. 1  
All dimensions are approximate and subject to standard tolerance. Specifications subject to change without prior notice.