

Encore - 60C

Specification & Installation Guide

Features

- Free Standing 60C vanity: 34" (864mm)H x 22"(560mm)D x 59-5/8" (1515mm)W
- Furniture grade plywood layered with solid wood veneer and protected with several coats of polyurethane.
- Matching finish inside out.
- Two doors with soft-close hardware.
- One interior drawer with full-extension soft-close hardware.
- Six side drawers with full-extension soft-close hardware.
- 5" center-to-center pre-drilled holes for handles.
- Handles furnished separately for field installation.
- Handle finish options: polished chrome (PC), brushed nickel (BN), polished nickel (PN), matte black (MB) and satin brass (SB)

Colors/Finishes

- Brandy (BR)
- Matte White (MW)
- Studio Grey (TG)

Top/Basin options

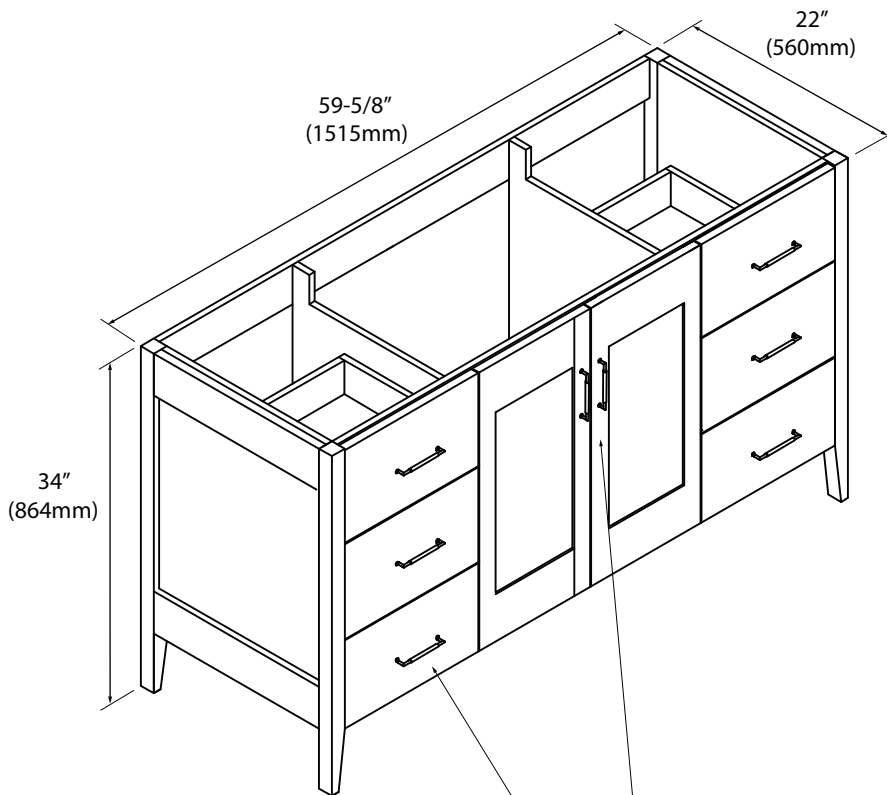
- Glossy White X-Stone 2"H top/basin
- Quartzstone 3/4"H countertop with undermount ceramic basin
- Quartzstone 3"H countertop with undermount ceramic basin

Package Dimensions

64" x 26" x 36"

Weight

200 lbs/91 kgs.



Handles furnished separately for field installation.
(5" center-to-center pre-drilled holes)



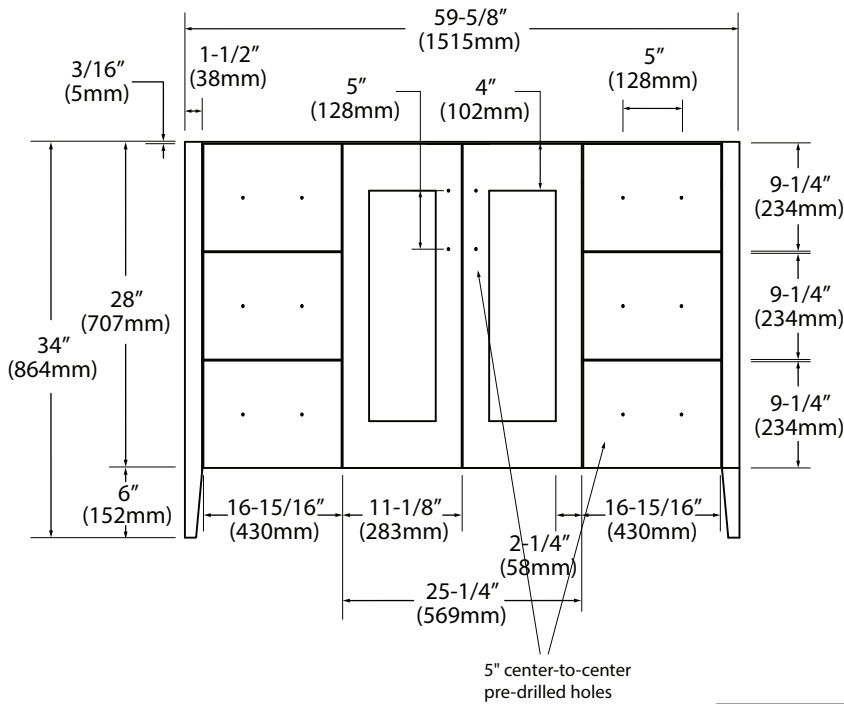
For clarification, please contact Madeli Customer Care at (800)-819-6988 or (305)-718-8817 Ext. 1 or service@madeli.com

All dimensions are approximate and subject to standard tolerance. Specifications subject to change without prior notice.

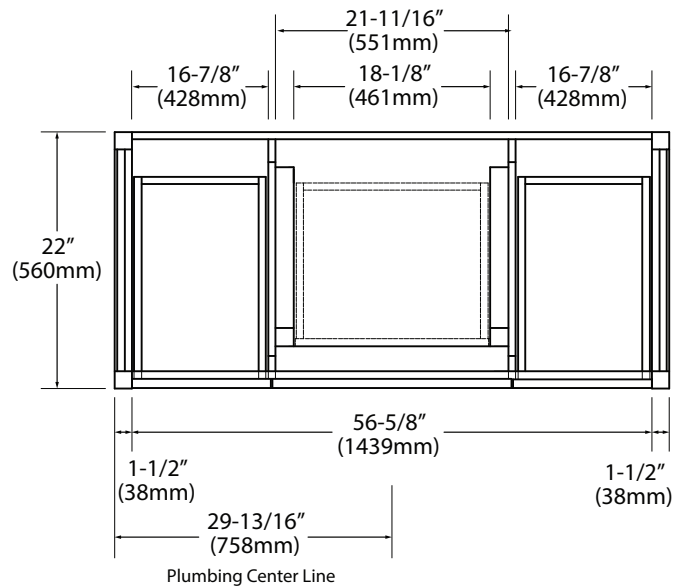
Encore - 60C

Specification & Installation Guide

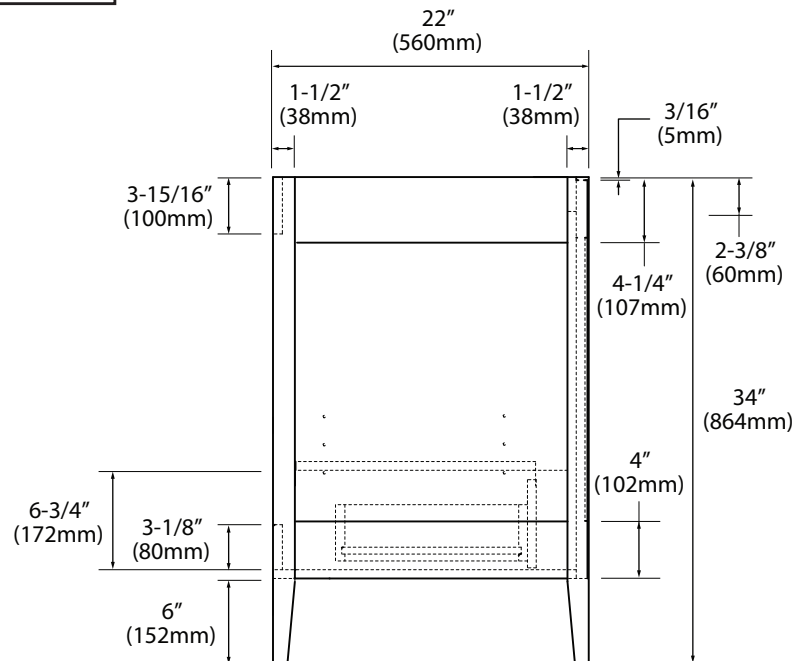
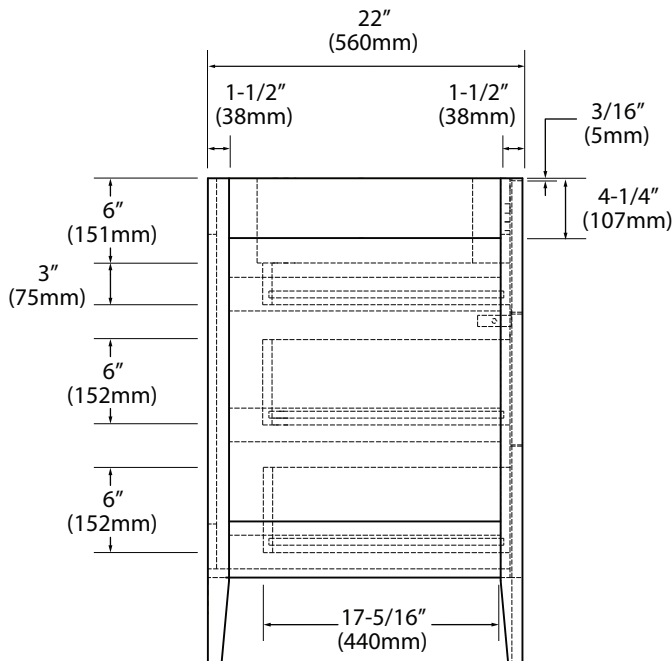
FRONT VIEW



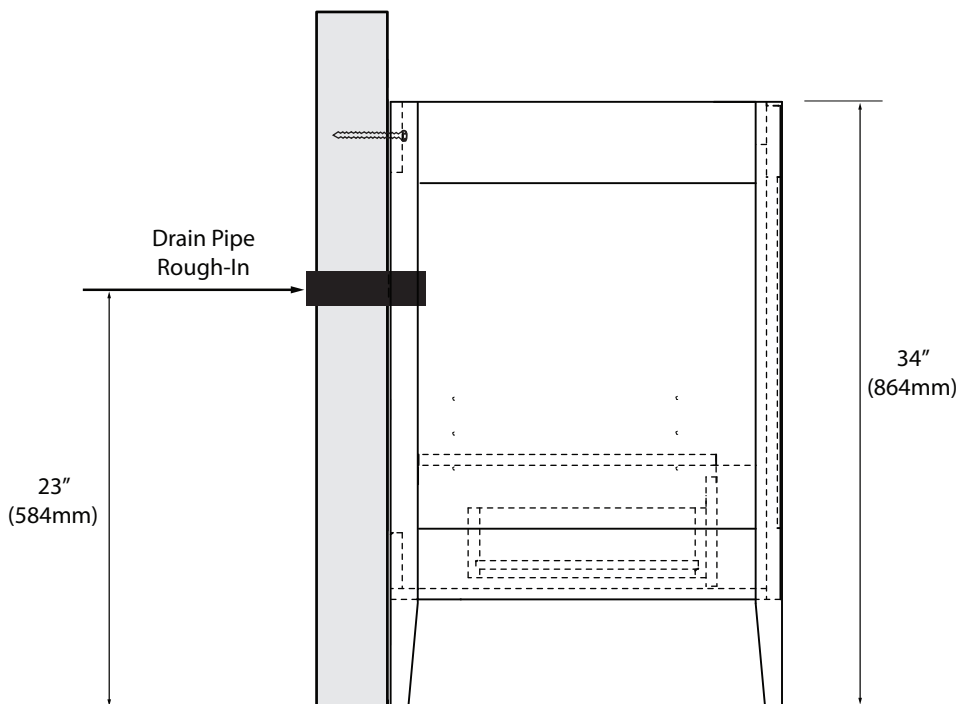
TOP VIEW



SIDE VIEWS



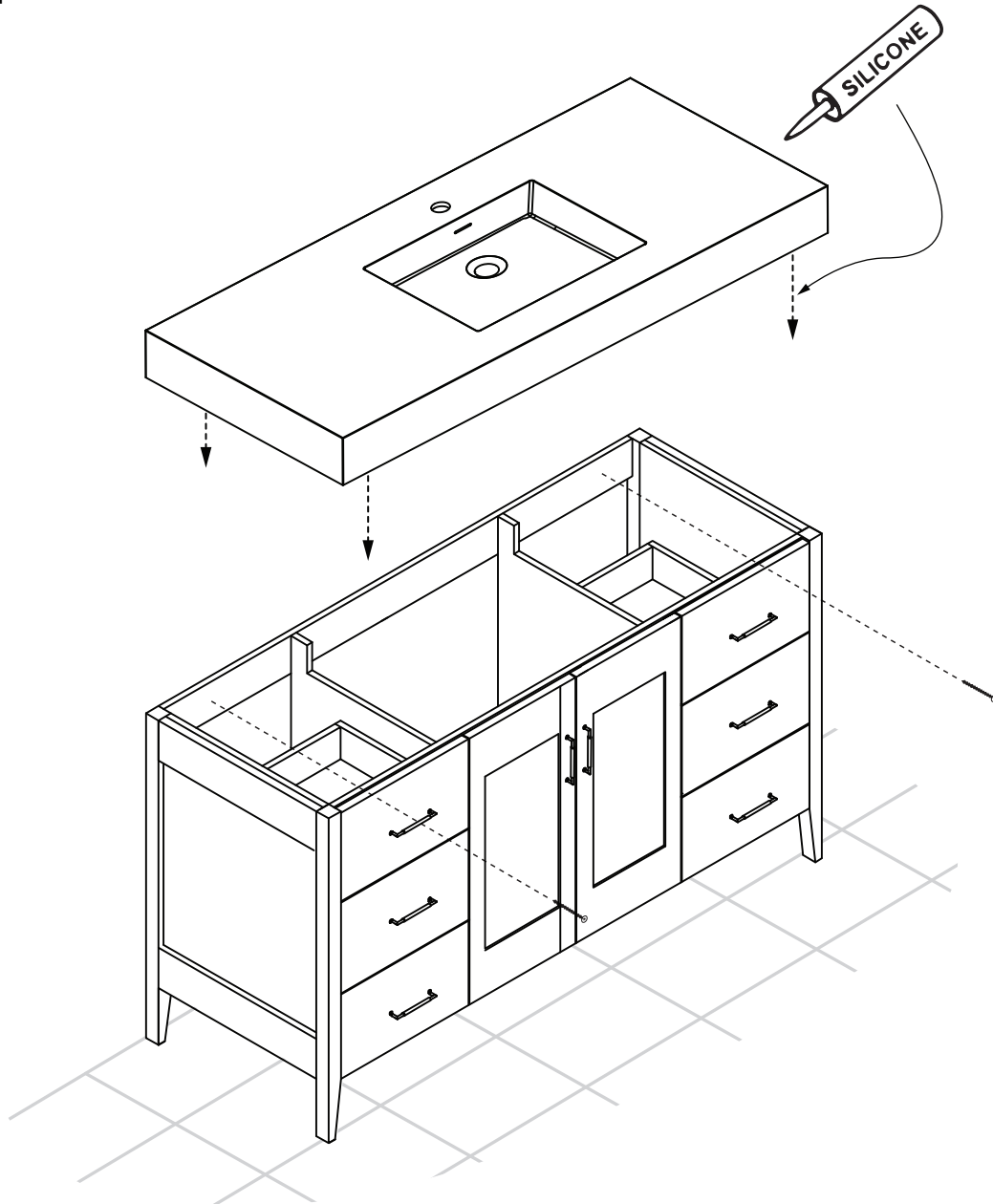
ROUGH-IN DIMENSIONS



For clarification, please contact Madeli Customer Care at (800)-819-6988 or (305)-718-8817 Ext. 1 or service@madeli.com
All dimensions are approximate and subject to standard tolerance. Specifications subject to change without prior notice.

CABINET PLACEMENT & INSTALLATION - SECURE CABINET TO WALL

- 1) Level cabinet in position
- 2) Secure cabinet with screws in drywall studs
- 3) Install countertop with silicone



For clarification, please contact Madeli Customer Care at (800)-819-6988 or (305)-718-8817 Ext. 1 or service@madeli.com
All dimensions are approximate and subject to standard tolerance. Specifications subject to change without prior notice.