

## Encore - 48D

## Specification & Installation Guide

### Features

- Free Standing 48D vanity: 34" (864mm)H x 22" (560mm)D x 47-5/8" (1210mm)W
- Furniture grade plywood layered with solid wood veneer and protected with several coats of polyurethane.
- Matching finish inside out.
- Two doors with soft-close hardware.
- Two interior drawer with full-extension soft-close hardware.
- Three side drawers with full-extension soft-close hardware.
- 5" center-to-center pre-drilled holes for handles.
- Handles furnished separately for field installation.
- Handle finish options: polished chrome (PC), brushed nickel (BN), polished nickel (PN), matte black (MB) and satin brass (SB)

### Colors/Finishes

- Brandy (BR)
- Matte White (MW)
- Studio Grey (TG)

### Top/Basin options

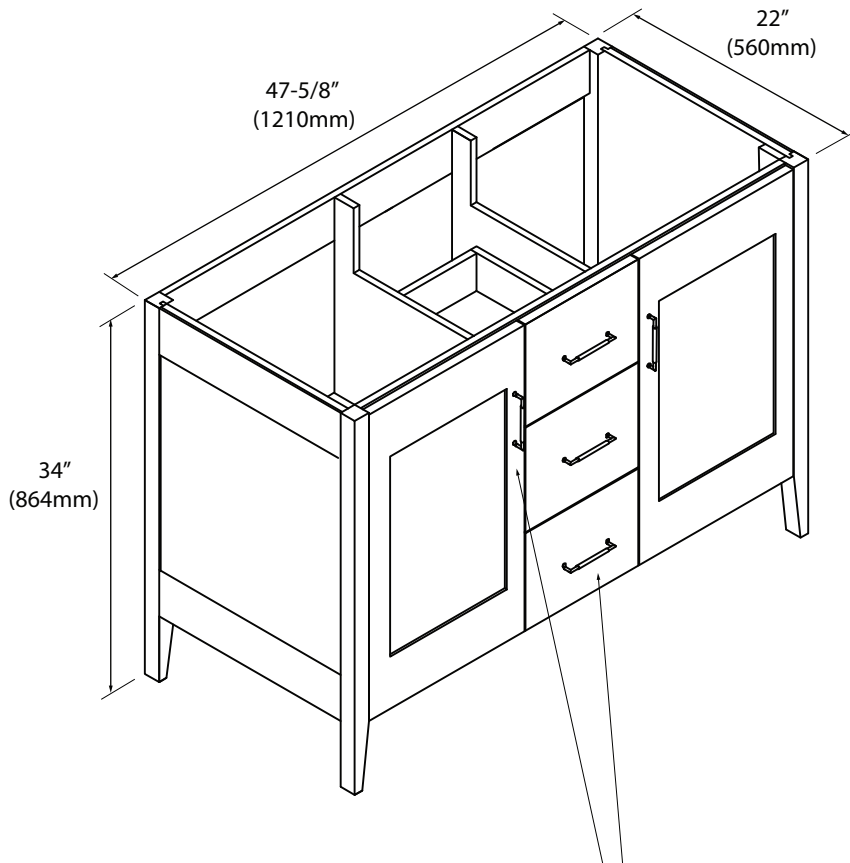
- Glossy White X-Stone 2"H top/basin
- Glossy White X-Stone 4-1/2" H Trough sink
- Quartzstone 3/4"H countertop with undermount ceramic basin

### Package Dimensions

52" x 26" x 36"

### Weight

170 lbs/77 kgs.



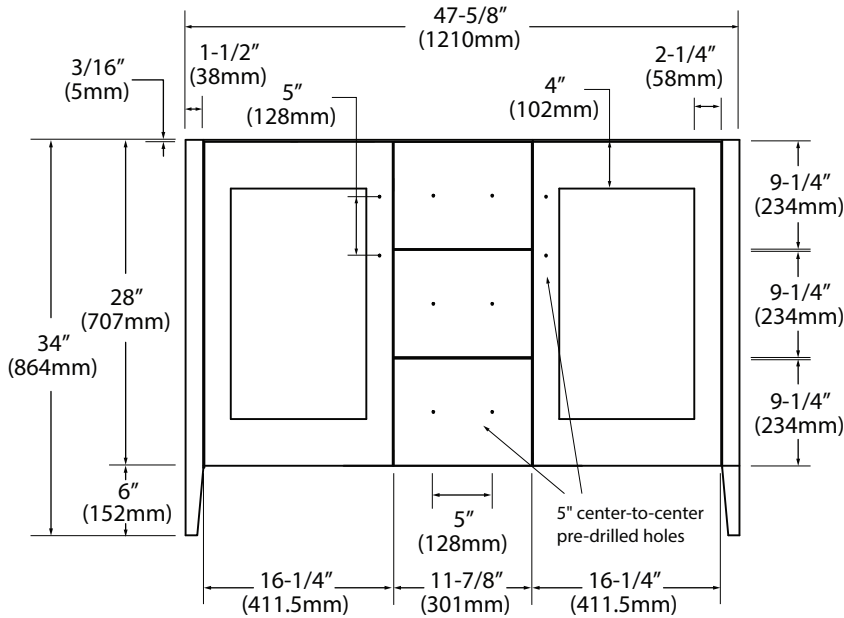
Handles furnished separately for field installation.  
(5" center-to-center pre-drilled holes)



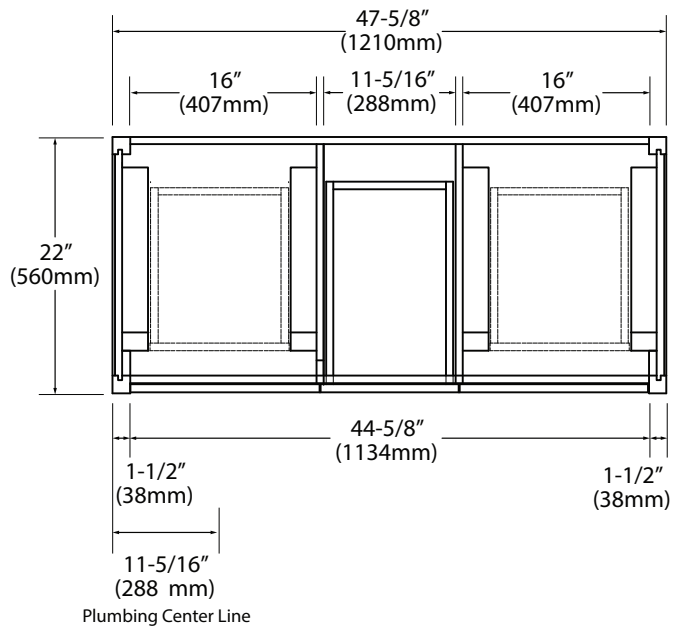
## Encore - 48D

## Specification & Installation Guide

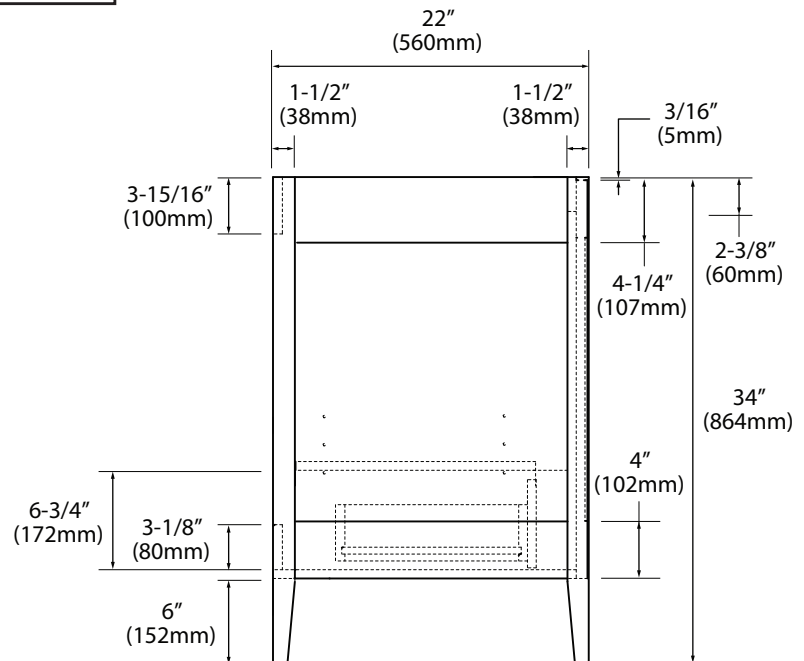
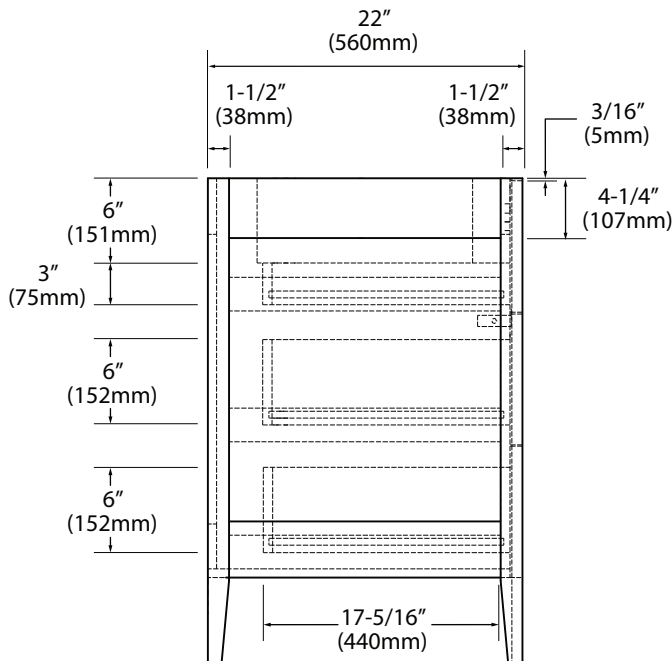
**FRONT VIEW**



**TOP VIEW**

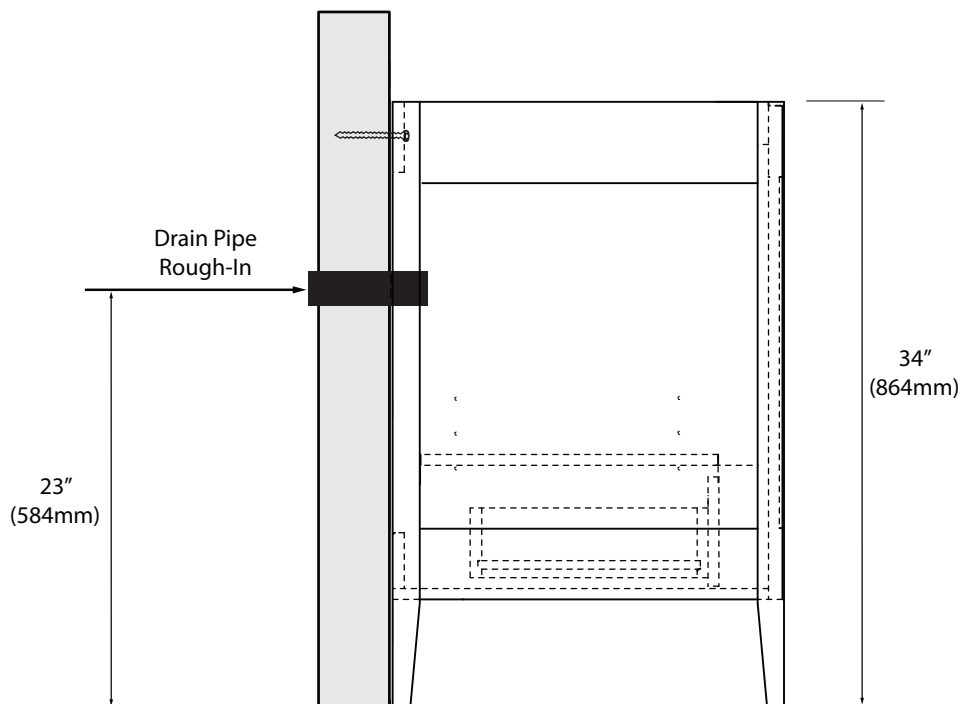


**SIDE VIEWS**



**For clarification, please contact Madeli Customer Care at (800)-819-6988 or (305)-718-8817 Ext. 1 or [service@madeli.com](mailto:service@madeli.com)**  
All dimensions are approximate and subject to standard tolerance. Specifications subject to change without prior notice.

**ROUGH-IN DIMENSIONS**



## CABINET PLACEMENT & INSTALLATION - SECURE CABINET TO WALL

- 1) Level cabinet in position
- 2) Secure cabinet with screws in drywall studs
- 3) Install countertop with silicone

