

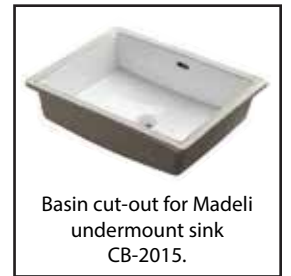
- QST2208-30-110-XX - (Shown)
- QST2208-30-130-XX - (8" OC)

## Quartzstone Countertop – 30"

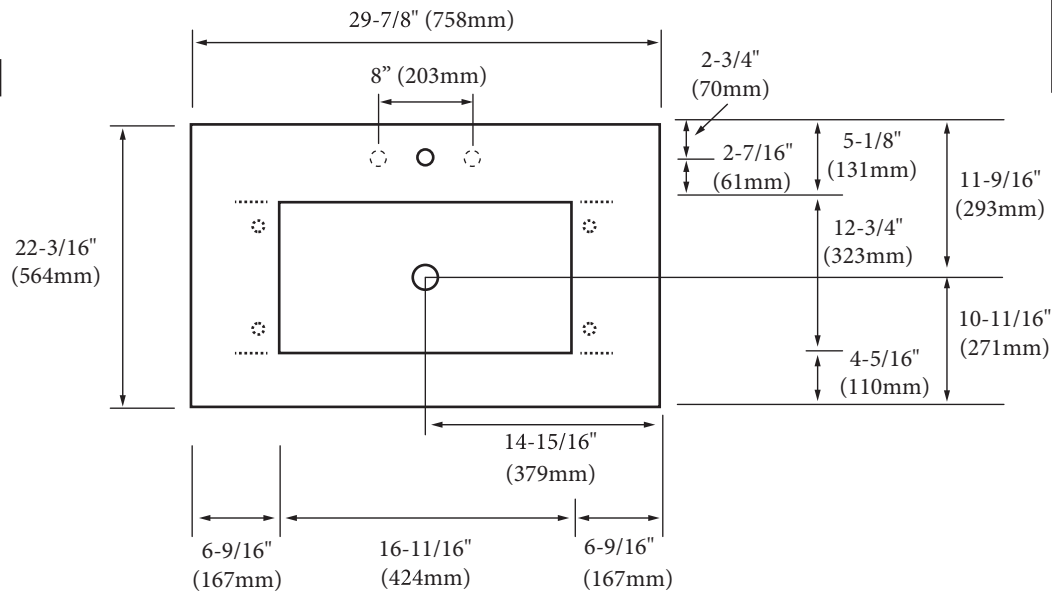
## Specification & Installation Guide

### FEATURES

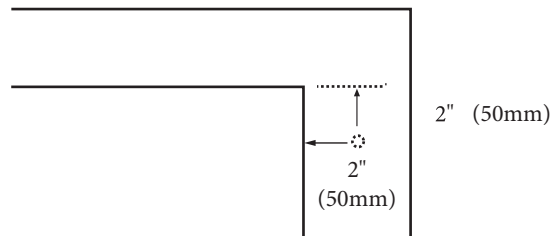
- Design: Quartzstone Countertop
- Material: Quartz composite.
- Dimension: 29-7/8" (758 mm)L x 22-3/16" (564 mm)W x 3/4" (20 mm)H
- Basin cut-out for Madeli under mount sink CB-2015
- Faucet hole(s): Single or 8" widespread.
- 4"H backsplash is included
- Packaging Dimensions: 33" (838 mm) x 25" (635 mm) x 4" (102 mm)
- Gross Weight: 45 lbs (21 kg)



### TOP VIEW



### UNDER SIDE VIEW (CLIP POSITIONS)



For clarification, please contact Madeli Customer Care at (800)-819-6988 or (305)-718-8817 Ext. 1

All dimensions are approximate and subject to standard tolerance. Specifications subject to change without prior notice.