

- QSA1812-60-210-XX - (Shown)
- QSA1812-60-230-XX - (8" OC)

Quartzstone Countertop – 60" Double

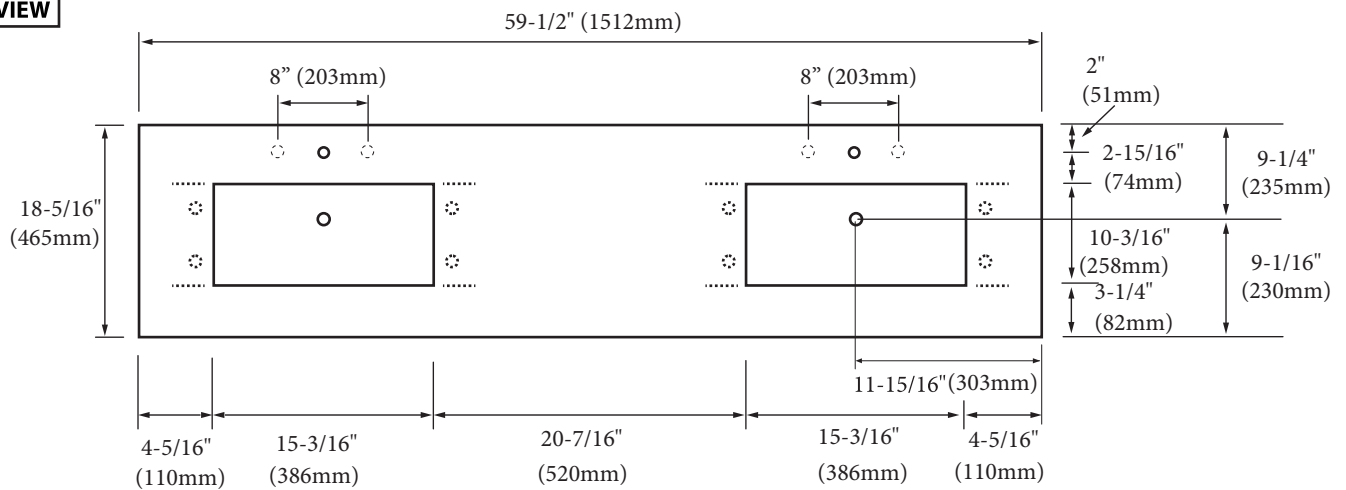
Specification & Installation Guide

FEATURES

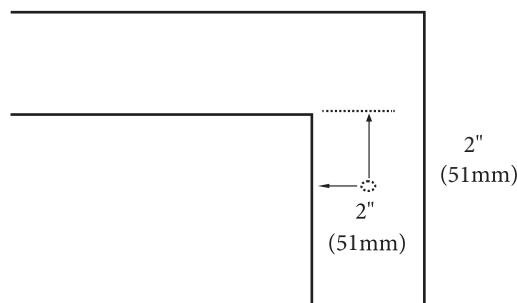
- Design: Quartzstone Countertop
- Material: Quartz composite.
- Dimension: 59-1/2" (1512 mm)L x 18-5/16" (465 mm)W x 3/4" (20 mm)H
- Two basins cut-out for Madeli under mount sink CB-1813.
- Faucet hole(s): Single or 8" widespread.
- Backsplash is not included.
- Packaging Dimensions: 63" (1600 mm) x 21" (534 mm) x 4" (102 mm)
- Gross Weight: 82 lbs (38 kg)



TOP VIEW



UNDER SIDE VIEW (CLIP POSITIONS)



For clarification, please contact Madeli Customer Care at (800)-819-6988 or (305)-718-8817 Ext. 1

All dimensions are approximate and subject to standard tolerance. Specifications subject to change without prior notice.