

- QSA1812-24-110-XX - (Shown)
- QSA1812-24-130-XX - (8" OC)

## Quartzstone Countertop – 24"

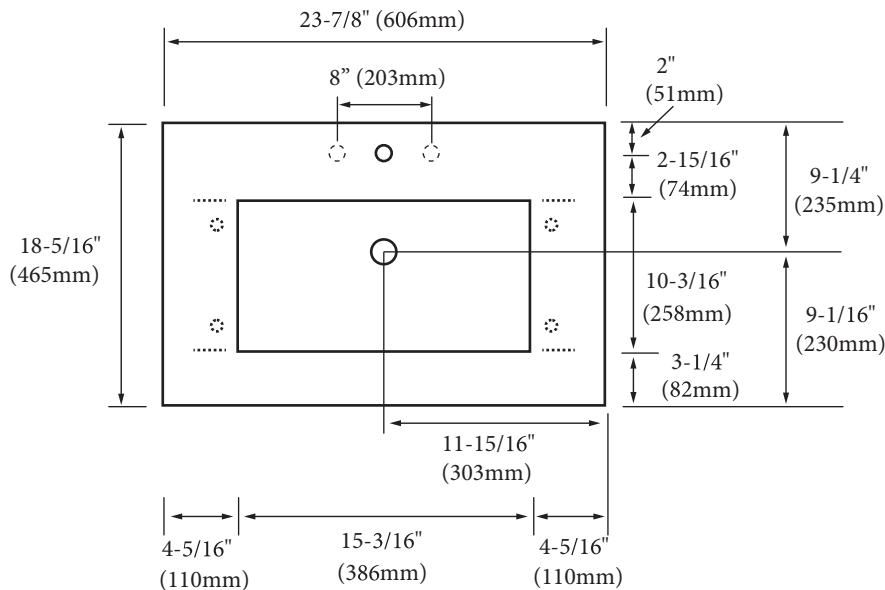
## Specification & Installation Guide

### FEATURES

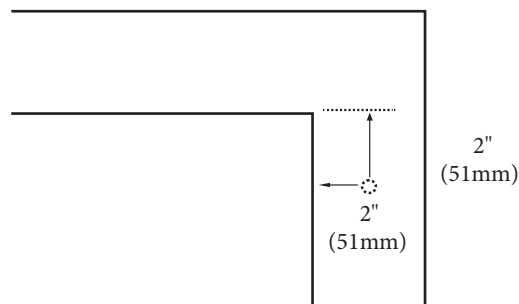
- Design: Quartzstone Countertop
- Material: Quartz composite.
- Dimension: 23-7/8" (606 mm)L x 18-5/16" (465 mm)W x 3/4" (20 mm)H
- Basin cut-out for Madeli under mount sink CB-1813.
- Faucet hole(s): Single or 8" widespread.
- Backsplash is not included.
- Packaging Dimensions: 27" (686 mm) x 21" (534 mm) x 4" (102 mm)
- Gross Weight: 31 lbs (14 kg)



### TOP VIEW



### UNDER SIDE VIEW (CLIP POSITIONS)



**For clarification, please contact Madeli Customer Care at (800)-819-6988 or (305)-718-8817 Ext. 1**

All dimensions are approximate and subject to standard tolerance. Specifications subject to change without prior notice.