

Cube- 30"

Specification & Installation Guide

Features

- Wall hung 30" vanity : 28"(712mm)H x 22"(560mm)D x 29-5/8"(753mm)W
- Furniture grade plywood layered with solid wood veneer and protected with several coats of polyurethane (No particle board or MDF used)
- Matching finish inside out
- Two fully adjustable drawers with full-extension soft-close European hardware
- Drawers include adjustable tempered glass dividers and retainers

Colors/Finishes

- Ash Grey (AG)
- Glossy White (GW)
- Walnut (WA)

Top/Basin options

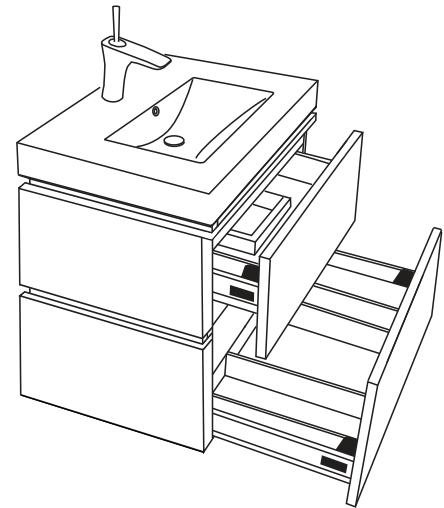
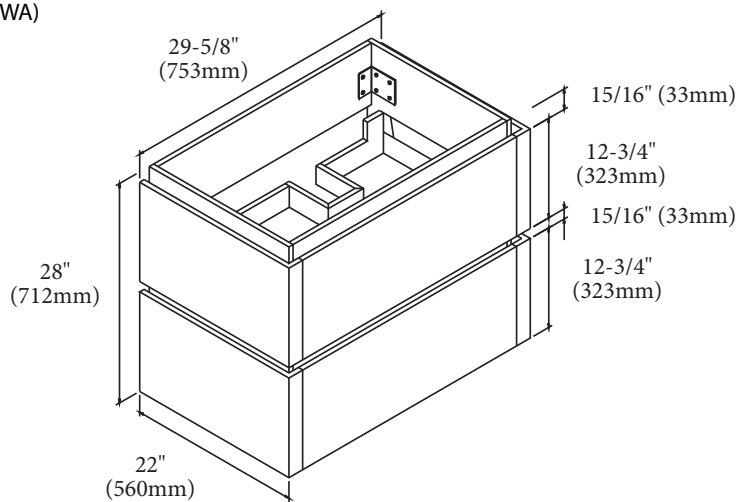
- White, Soft Grey or White Carrara Quartzstone™ top & White ceramic basin
- Glossy White X-Stone top/basin
- Glossy or Matte White X-Stone flat countertop
- Tempered glass top and ceramic basin

Package Dimensions

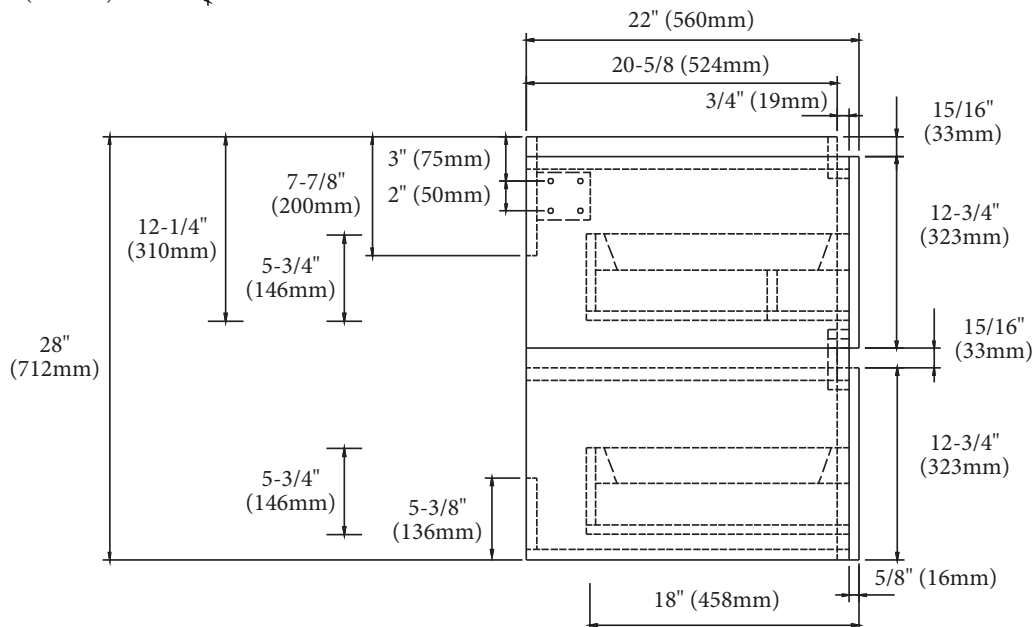
34" x 26" x 30"

Weight

136 lbs. / 62 kgs



SIDE VIEW



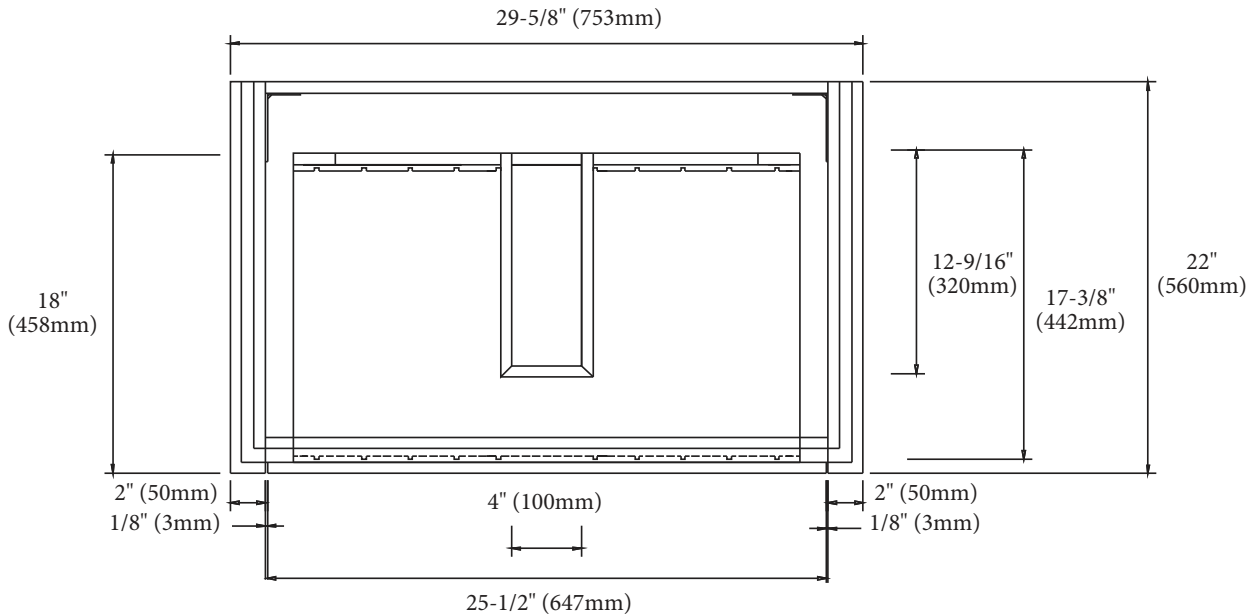
For clarification, please contact Madeli Customer Care at (800)-819-6988 or (305)-718-8817 Ext. 1

All dimensions are approximate and subject to standard tolerance. Specifications subject to change without prior notice.

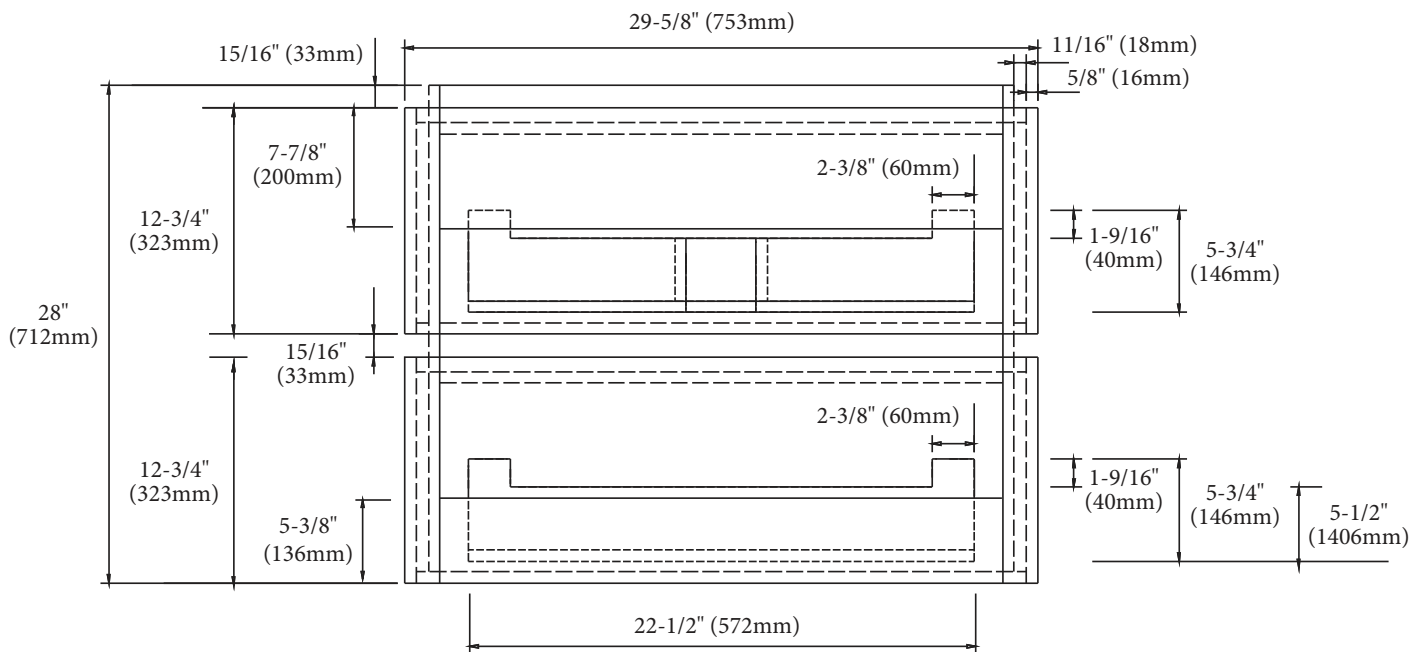
Cube - 30"

Specification & Installation Guide

TOP VIEW

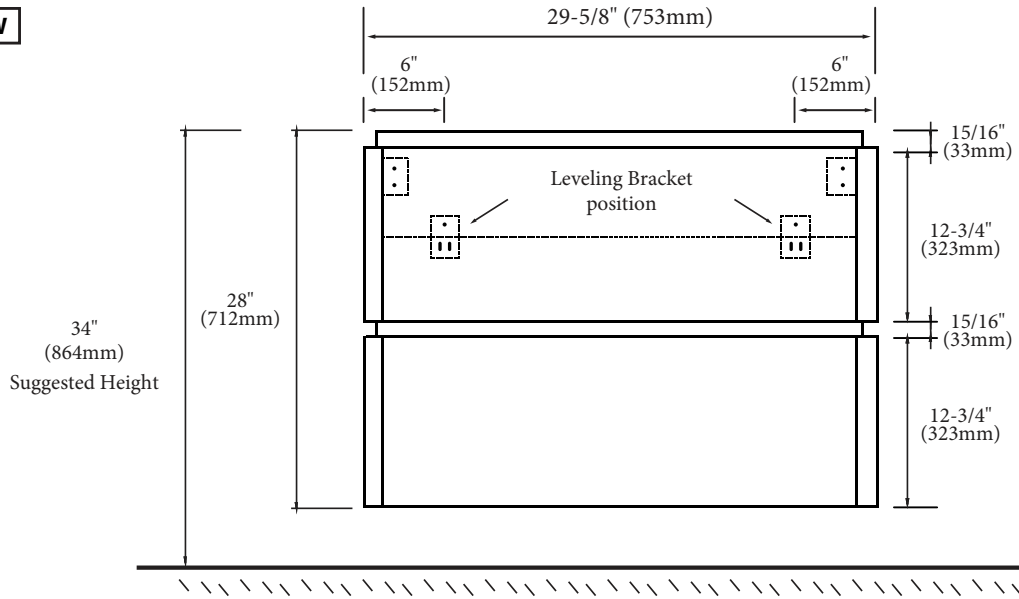


BACK VIEW



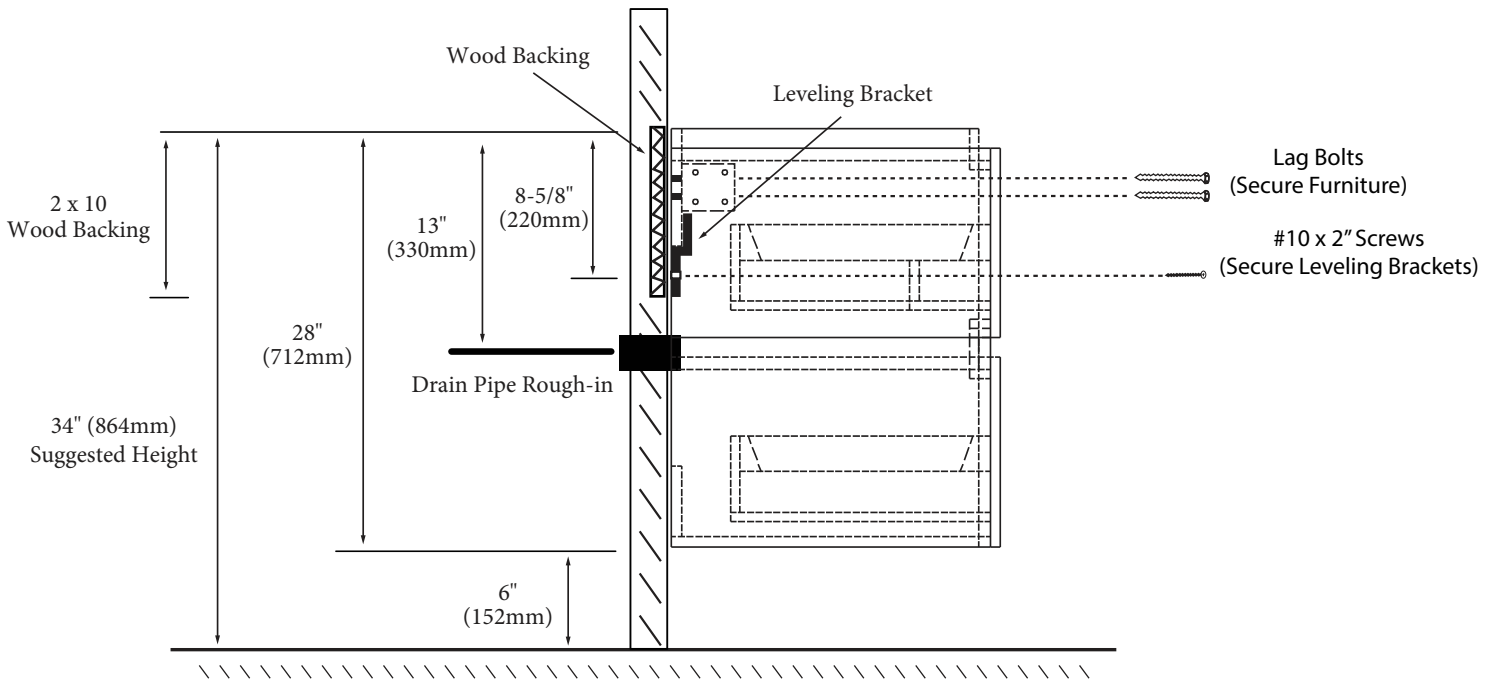
Cube - 30" Specification & Installation Guide

FRONT VIEW



TYPICAL INSTALLATION

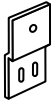





The typical dimensions shown will result in vanity cabinet height of 34" (864mm). Depending on the countertop selected, the total height will vary from 35-1/4" (895mm) to 36-1/2" (927mm). For above-counter vessels with typical heights between 4" and 6", it is suggested to lower the cabinet to 31" (785mm). If alternate heights are desired, adjust the rough-in and backing material heights using the dimensions provided.



Cube - 30"

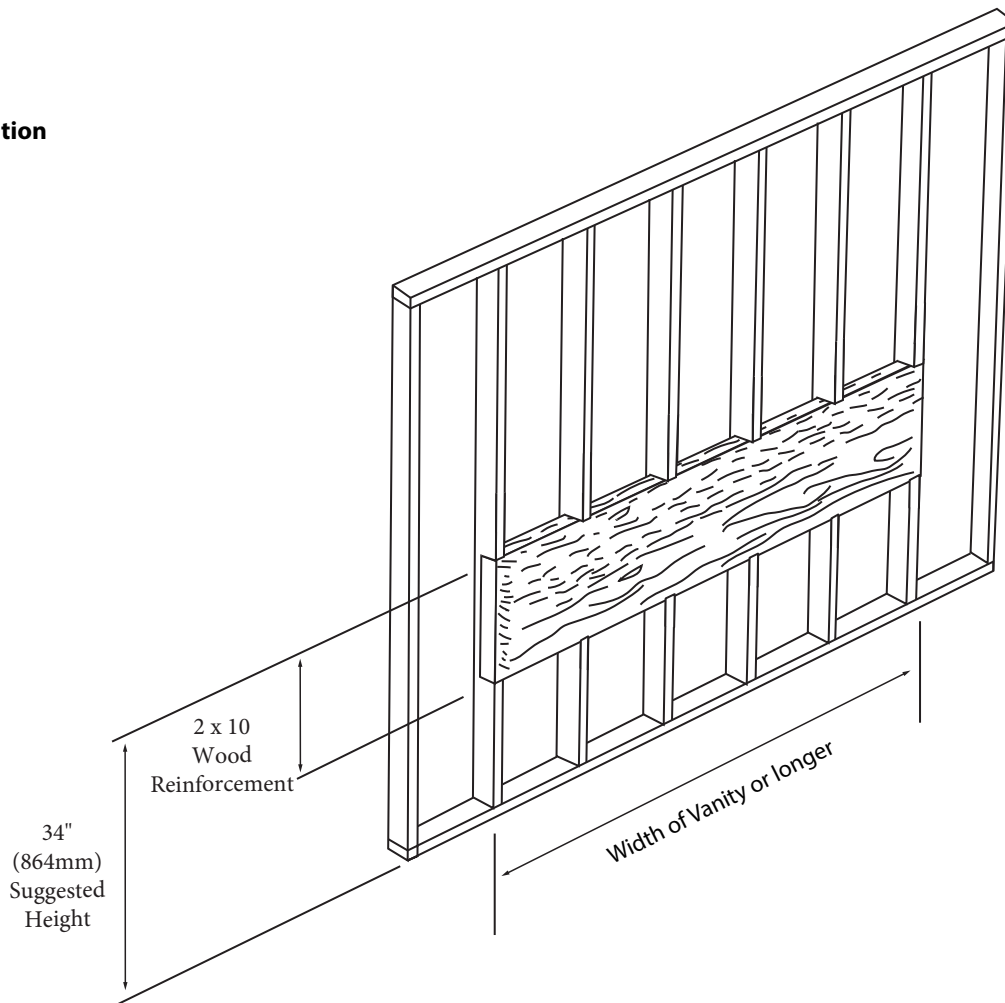
Specification & Installation Guide

INSTALLATION INSTRUCTIONS

Item	Leveling Bracket	#10 x 5/8" Screw	#10 x 2" Screws	Anchors	Lag Bolt 5/16 x 2-1/2"	Silicone (not included)
Qty.	2	2	4	8	4	1
						

STEP 1

Wall Preparation



For clarification, please contact Madeli Customer Care at (800)-819-6988 or (305)-718-8817 Ext. 1

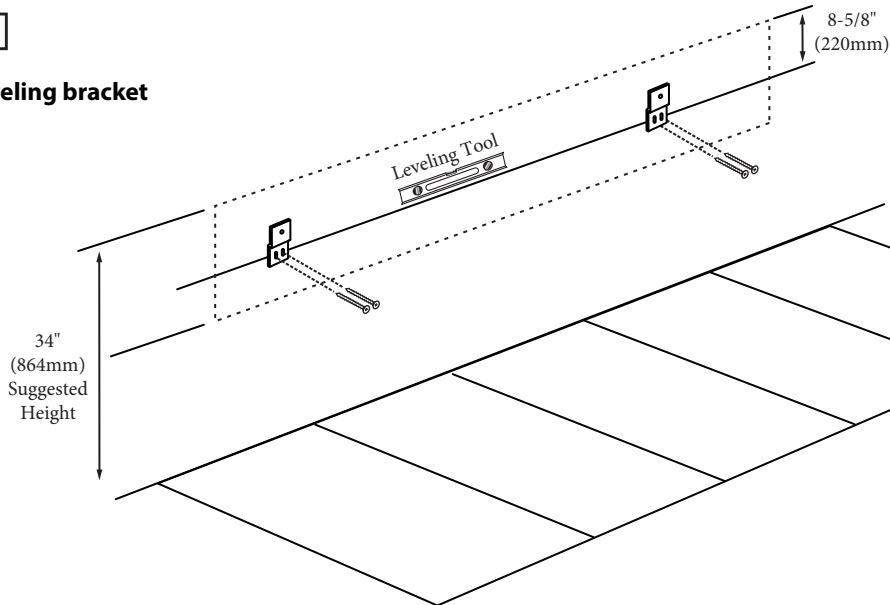
All dimensions are approximate and subject to standard tolerance. Specifications subject to change without prior notice.

Cube - 30"

Specification & Installation Guide

STEP 2

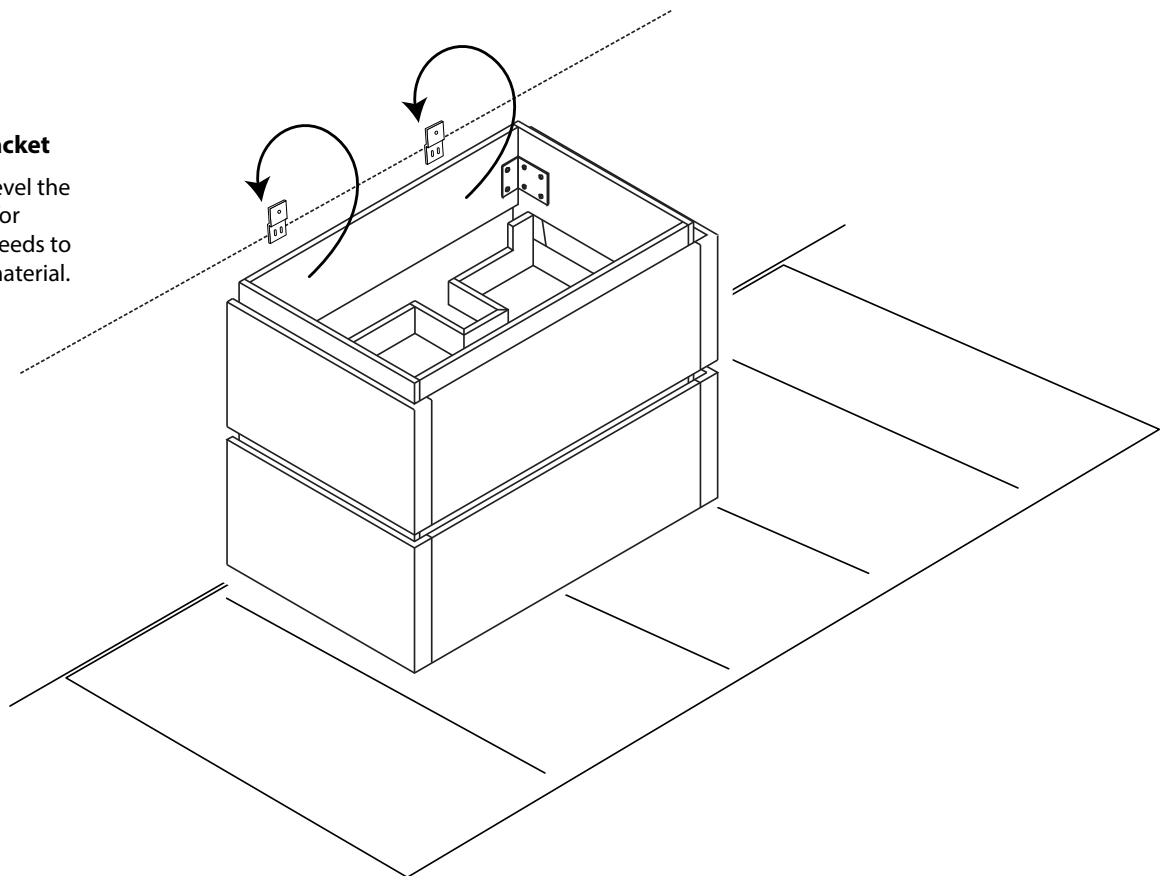
Install leveling bracket



STEP 3

Place vanity on leveling bracket

Leveling brackets are only to level the vanity. They are not designed for permanent support. Cabinet needs to be secured to wood backing material.

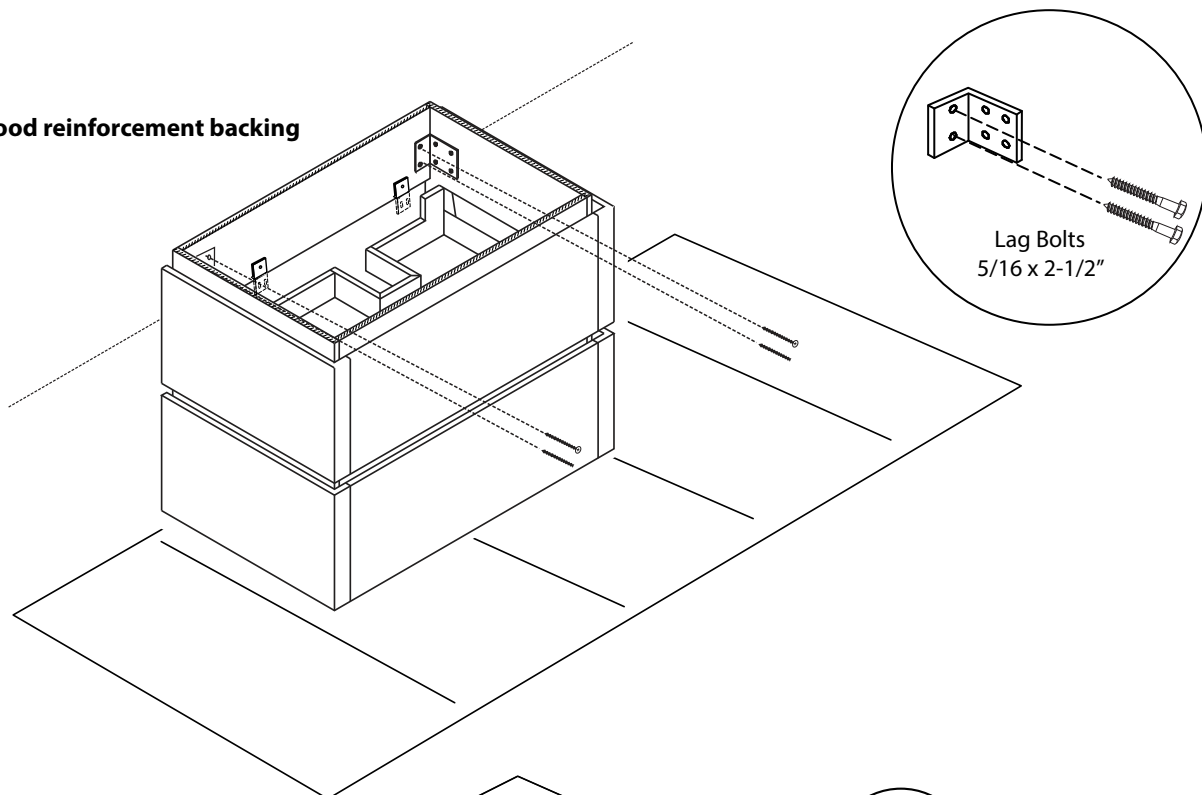


Cube - 30"

Specification & Installation Guide

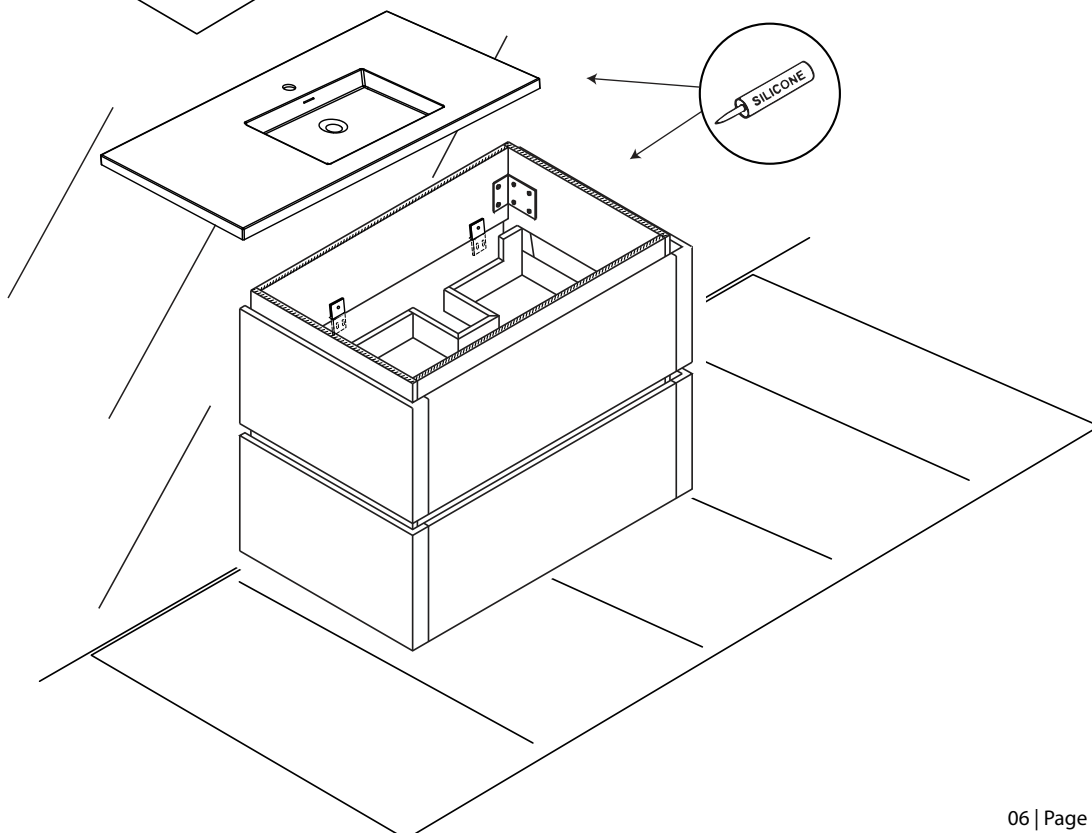
STEP 4

Secure vanity to wood reinforcement backing



STEP 5

Install countertop with Silicone



For clarification, please contact Madeli Customer Care at (800)-819-6988 or (305)-718-8817 Ext. 1
All dimensions are approximate and subject to standard tolerance. Specifications subject to change without prior notice.