

Rimini - 24"

Specification & Installation Guide

Features

- Free standing wood pedestal with tempered glass or X-Stone™ solid surface countertop 24" vanity.
- Cabinet base: Wood pedestal. 30-5/16"(770mm)H x 6"(150mm)D x 6" (150mm)W
- Furniture grade plywood layered with solid wood veneer and protected with several coats of polyurethane.
- Towel bar and metal caps in polished chrome finish

Finishes

- Glossy White (GW)
- Walnut (WA)

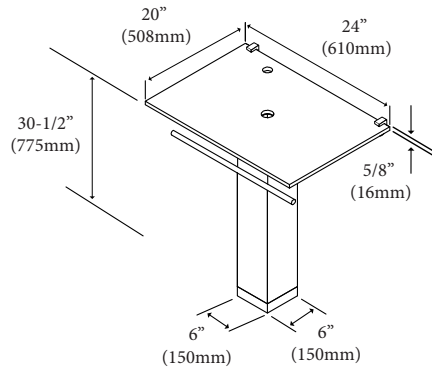
Package Dimension

- ① Pedestal: 8-11/16" x 8-11/16" x 33-1/16"
- ② Glasstop Countertop: 31-2/16" x 22-7/16" x 3-5/16"
- ③ X-Stone Countertop: 20-13/16 x 20-12/16 x 4-12/16

Gross Weight

- ① Pedestal: 13 lbs / 6 kgs
- ② Glasstop Countertop: 27.94 lbs / 12.7 kgs
- ③ X-Stone Countertop: 26.4 lbs / 12 kgs

Countertop Option 1

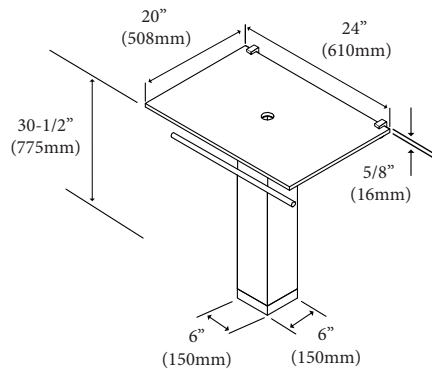


Tempered glass countertop, with single faucet hole.
5/8"(16mm)H x 20"(508mm)D x 24" (610mm)W

Recommended Accessories:

- Gooseneck Faucet
- Glass Vessel (MGE-05004-1-C)
- Mounting Ring (MR-001-XX)
- Push Button umbrella drain without overflow (91008-XX)

Countertop Option 2

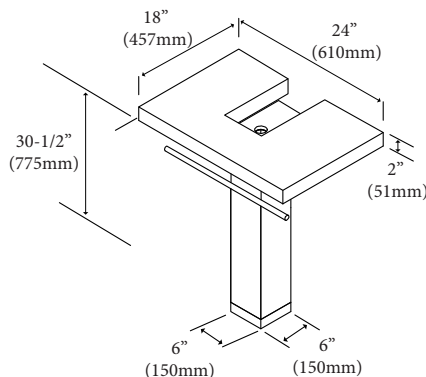


Tempered glass countertop, no faucet hole predrilled.
5/8"(16mm)H x 20"(508mm)D x 24" (610mm)W

Recommended Accessories:

- Wall Mounted Faucet
- Glass Vessel (MGE-05004-1-C)
- Mounting Ring (MR-001-XX)
- Push Button umbrella drain without overflow (91008-XX)

Countertop Option 3



Solid surface countertop, no faucet hole predrilled.
2"(51mm)H x 18"(457mm)D x 24" (610mm)W

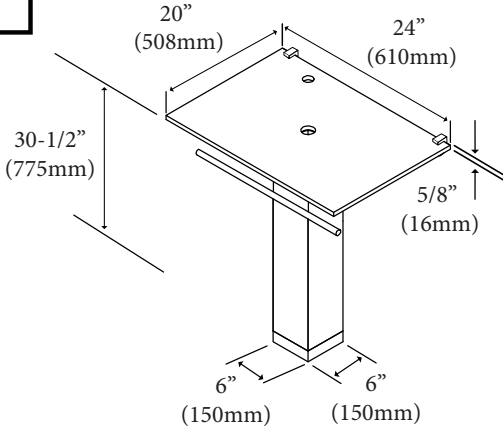
Recommended Accessories:

- Ceramic Basin (CB-2382)
- Push-Button Umbrella Drain with overflow (91009-XX, 91021-XX)

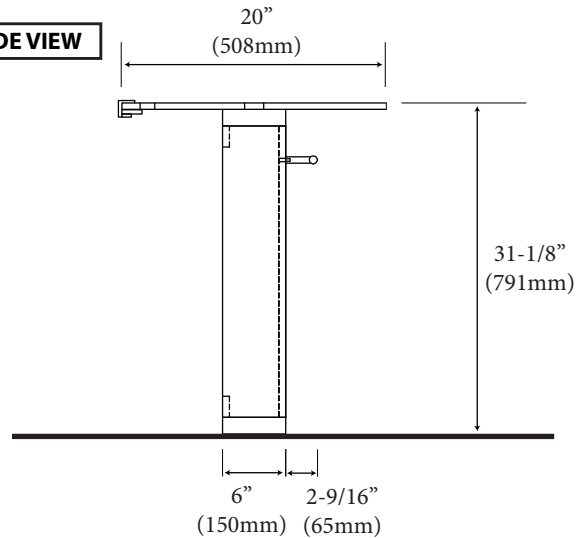
Rimini - 24"

Specification & Installation Guide

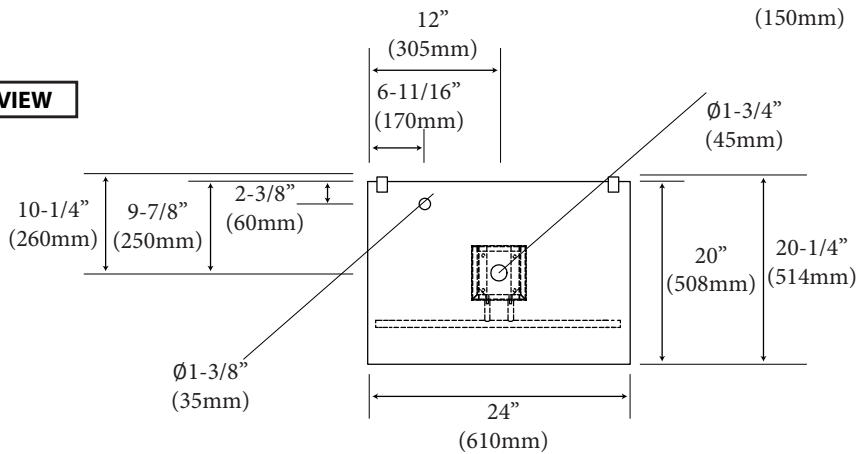
Countertop Option 1



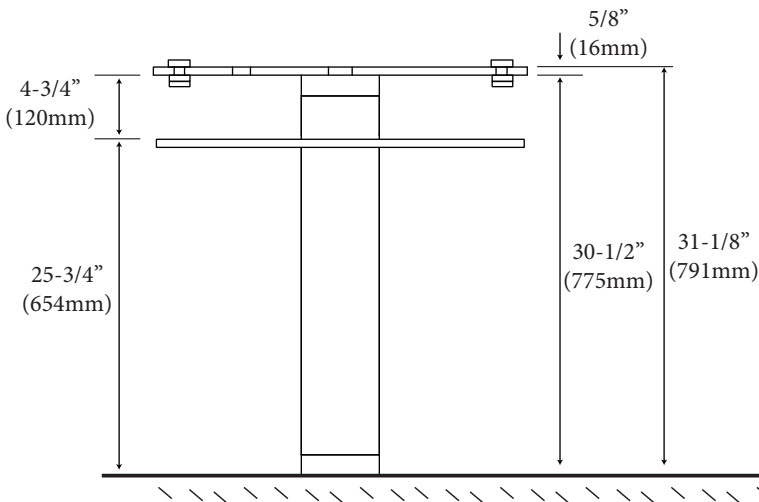
SIDE VIEW



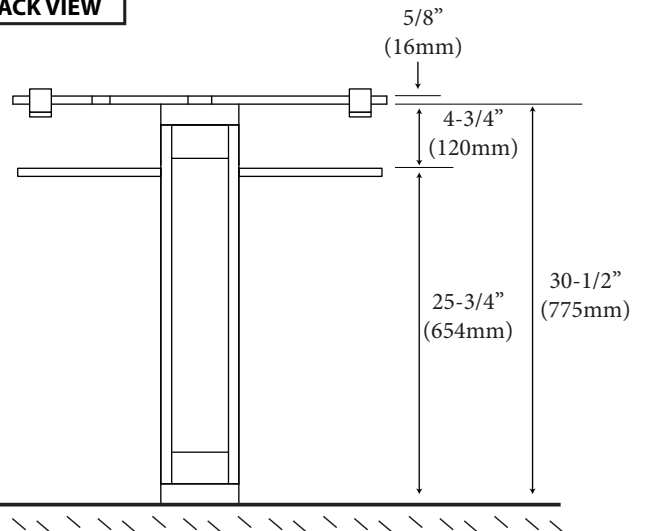
TOP VIEW



FRONT VIEW



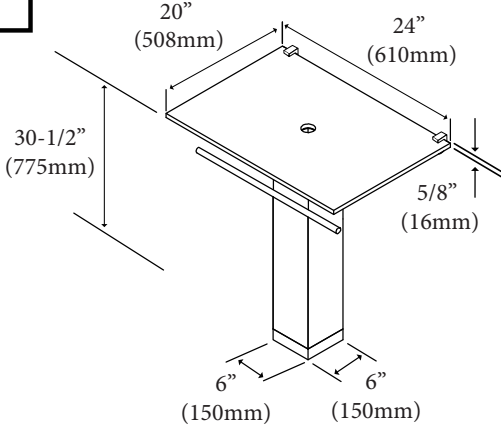
BACK VIEW



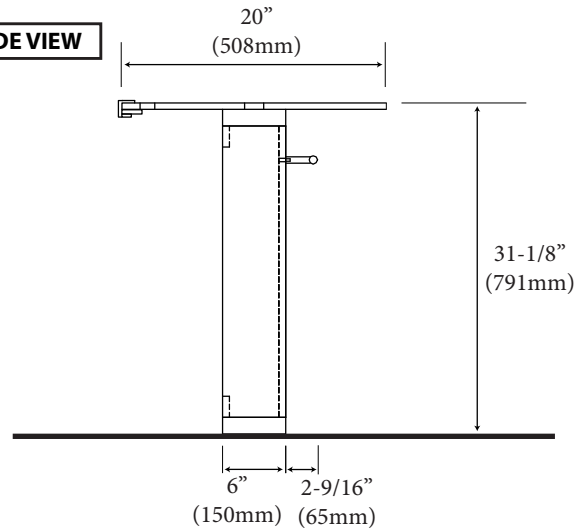
Rimini - 24"

Specification & Installation Guide

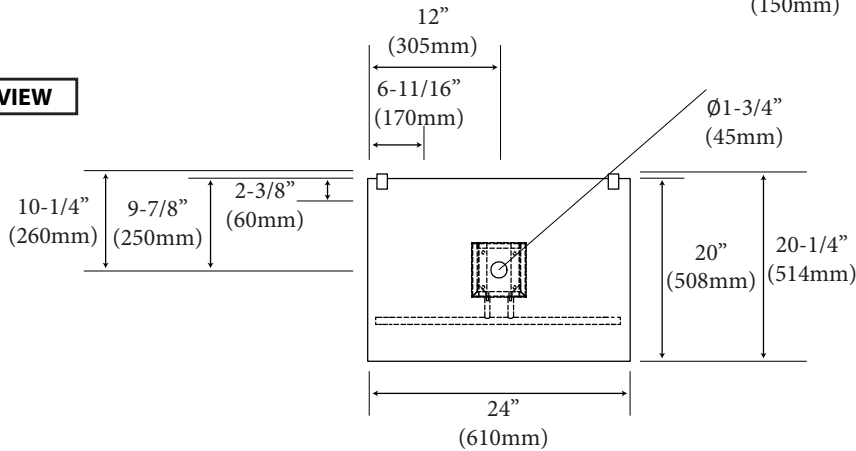
Countertop Option 2



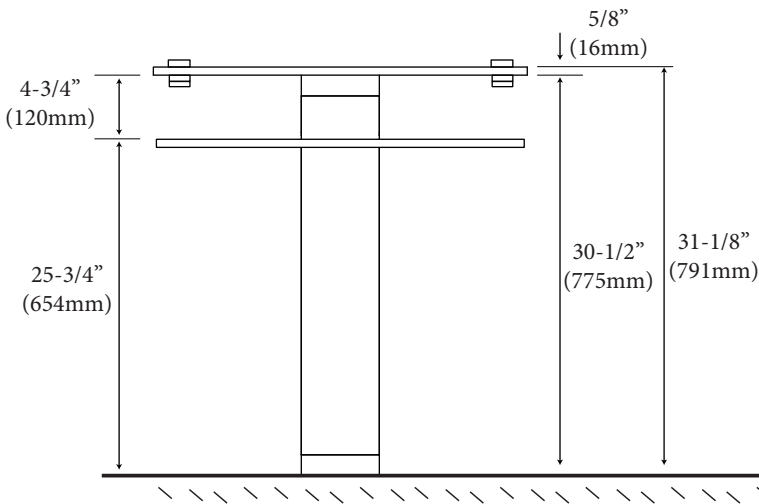
SIDE VIEW



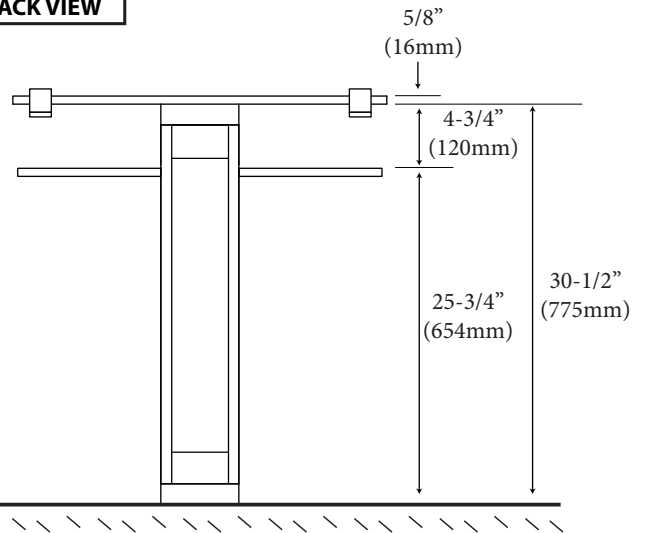
TOP VIEW



FRONT VIEW



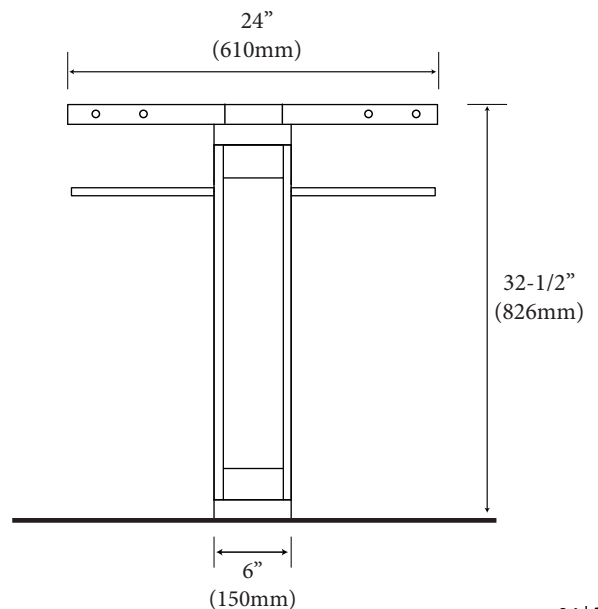
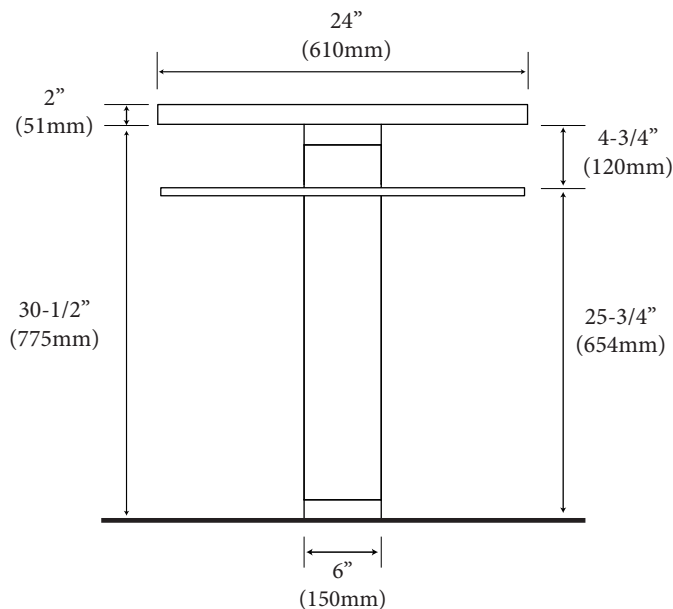
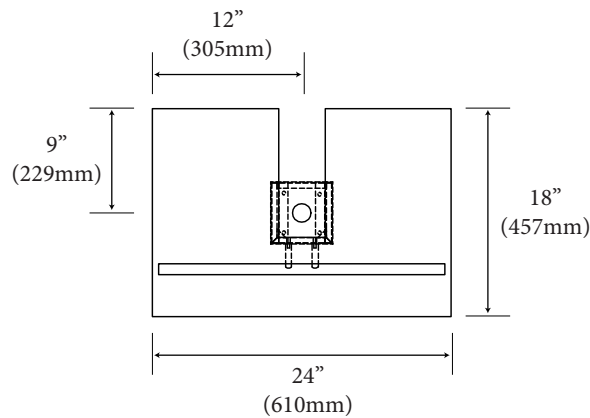
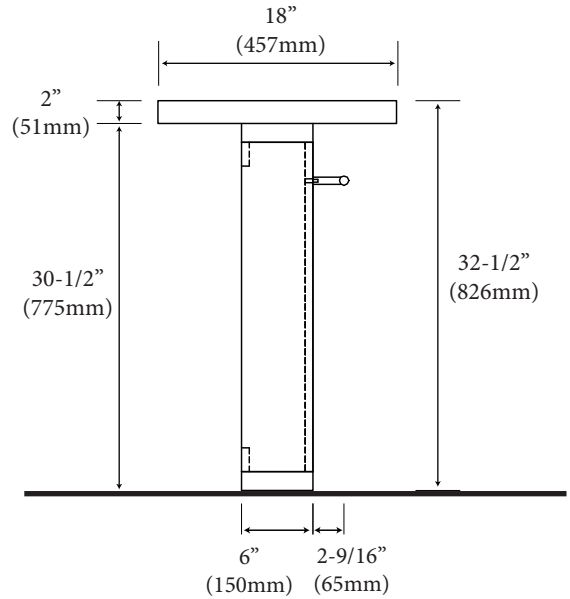
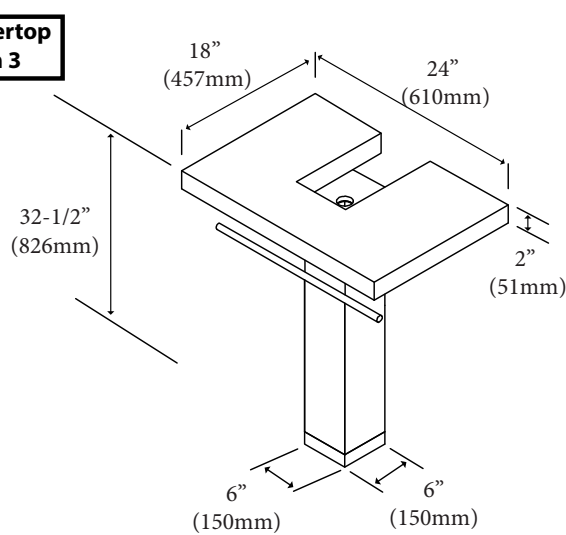
BACK VIEW



Rimini - 24"

Specification & Installation Guide

**Countertop
Option 3**



For clarification, please contact Madeli Customer Care at (800)-819-6988 or (305)-718-8817 Ext. 1

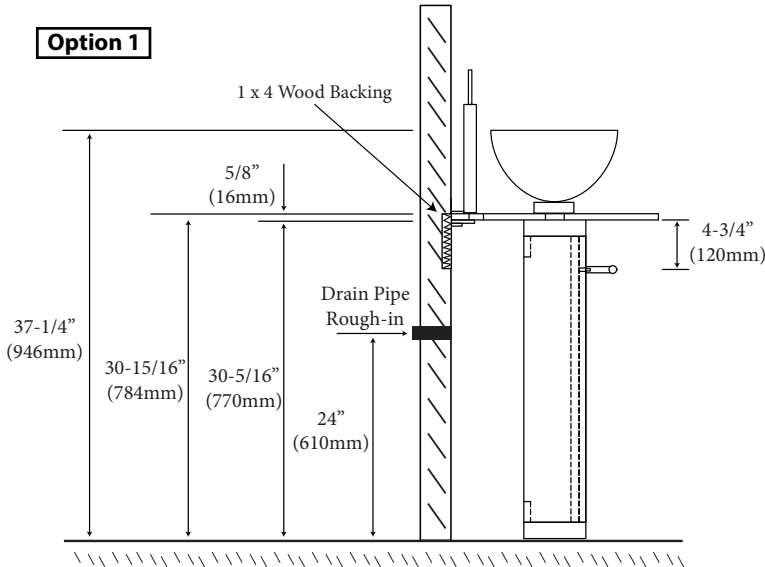
All dimensions are approximate and subject to standard tolerance. Specifications subject to change without prior notice.

Rimini - 24"

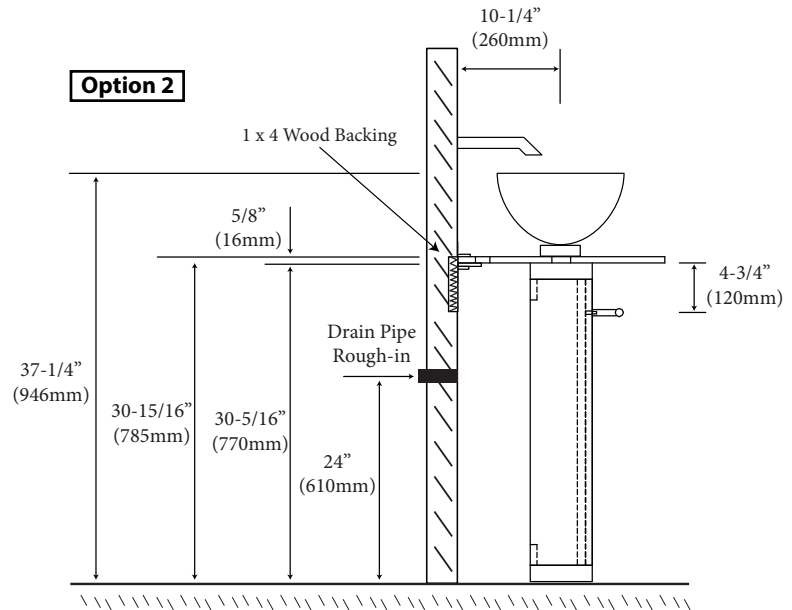
Specification & Installation Guide

ROUGH-IN DIMENSIONS

Option 1



Option 2



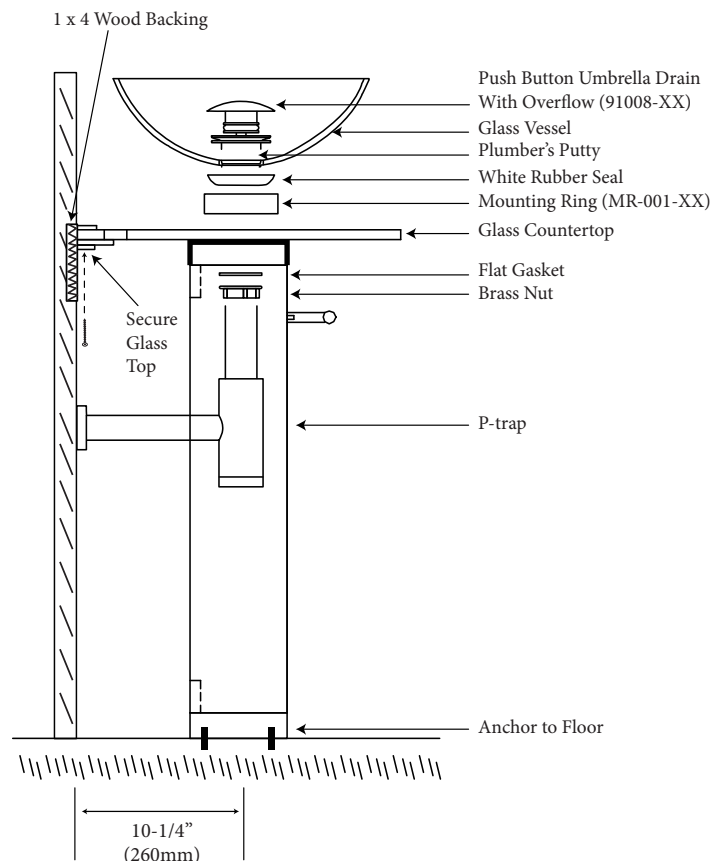
Installation instructions for Rimini with Glass Countertop (Option 1 and 2)

COMPONENTS

- 1) Pedestal and Glass countertop.
- 2) Recommended Glass Vessel: Madeli MGE-5004-1-C or any other vessel of similar size (16-1/2" in diameter). See washbasin catalog for additional selection.
- 3) Mounting ring MR-00-XX included. Required for glass vessel installation.
- 4) Push-button umbrella drain without overflow: **required** for glass vessel installation.
- 5) **Optional:** Push-button umbrella drain without overflow with P-Trap: 91016-XX.
- 6) Wall brackets.

STEPS

- 1) **Install Pedestal and Glass Countertop** with attachment brackets, centering vessel drain and pedestal cap holes.
 - a. Use wood reinforcement backing to anchor holding brackets.
 - b. Secure pedestal to floor with anchors or adhesive.
- 2) **Install Glass Vessel** by following sequence below:
 - a. Disassemble drain assembly.
 - b. Insert drain pipe in vessel drain using plumber's putty to provide seal. Discard small rubber washer if provided.
 - c. Insert large rubber gasket.
 - d. Screw mounting ring to drain pipe.
 - e. Insert assembly into glass top and metal cap holes.
 - f. Insert flat gasket and screw brass nut to secure entire assembly
 - g. Complete P-Trap installation.

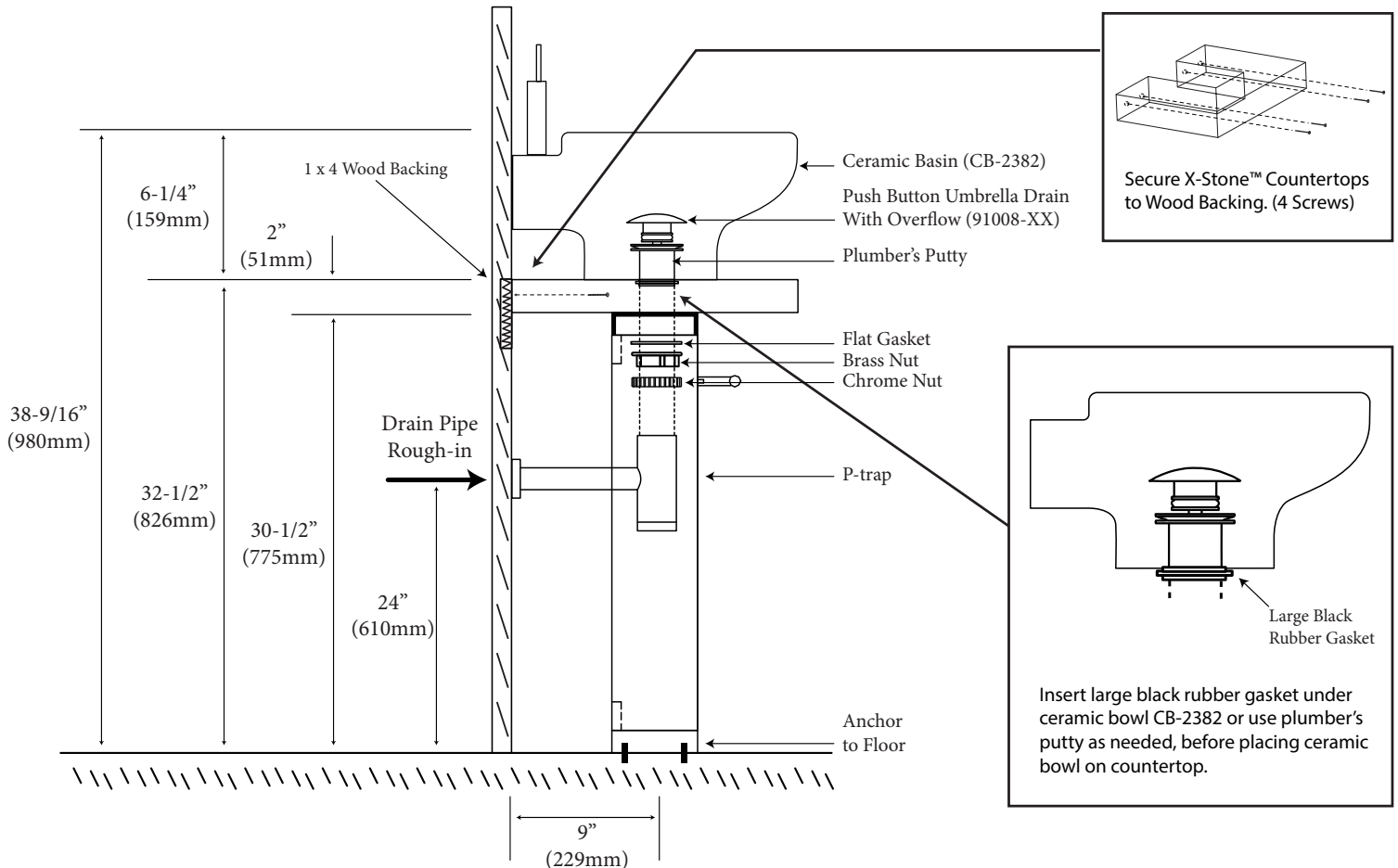


Rimini - 24"

Specification & Installation Guide

ROUGH-IN DIMENSIONS

Option 3



Installation instructions for Rimini with X-Stone™ Solid Surface Countertop (Option 3)

COMPONENTS

- 1) Pedestal and X-Stone countertop.
- 2) Ceramic basin: CB-2382-WH (**required**).
- 3) Push-button umbrella drain with overflow: 91009-XX (**required**).
- 4) **Optional:** Push-button umbrella drain with overflow with P-Trap: 91017-XX.

STEPS

- 1) **Install Pedestal and X-Stone Countertop** per installation diagram.
 - a. Anchor countertop to wall into wood reinforcement backing.
 - b. Secure pedestal to countertop and floor with adhesive.
 - c. Secure pedestal to floor with anchors or adhesive.

2) **Install Ceramic** basin by following sequence below:

- a. Disassemble drain assembly. Two nuts are provided: one brass and one chrome.
- b. Insert drain pipe in vessel drain using plumber's putty to provide seal. Discard small rubber washer if provided.
- c. Insert large black rubber gasket or use plumber's putty as needed, and tighten using brass nut.
- d. insert vessel/drain pipe assembly through metal cap hole of pedestal.
- e. Insert flat gasket and screw chrome nut to secure entire assembly.
- f. Complete P-Trap installation.