

## Palermo - 24"

## Specification & Installation Guide

### Features

- Wall hung 24" vanity : 18-7/8"(480mm)H x 18-1/16"(458mm)D x 23-5/8" (600mm)W
- Furniture grade plywood layered with solid wood veneer and protected with several coats of polyurethane.
- Matching finish inside out
- Two soft-close doors with European hardware
- Handles: Polished chrome finish (Stainless steel finish optional)

### Finishes

- Glossy White (GW)
- Walnut (WA)

### Top/Basin options

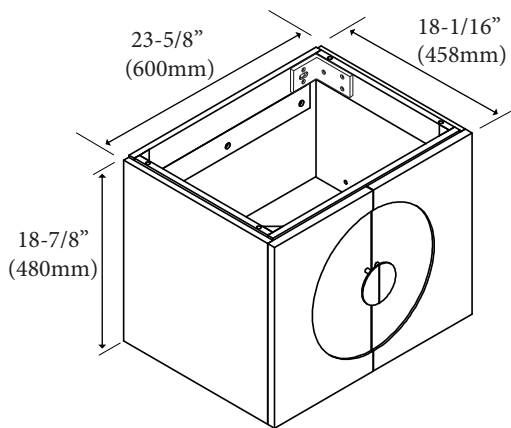
- White or soft Grey Quartzstone™ top & white under mount ceramic basin
- Glossy White X-Stone top/basin
- Ceramic basin
- Tempered glass top/basin
- Glossy or Matte White X-Stone flat top
- Glossy White or Walnut wood countertop

### Package Dimension

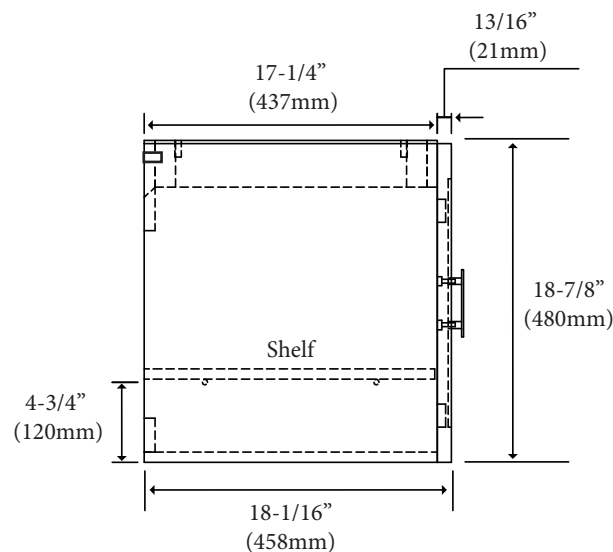
26" x 22" x 23"

### Gross Weight

43 lbs / 19.55 kgs



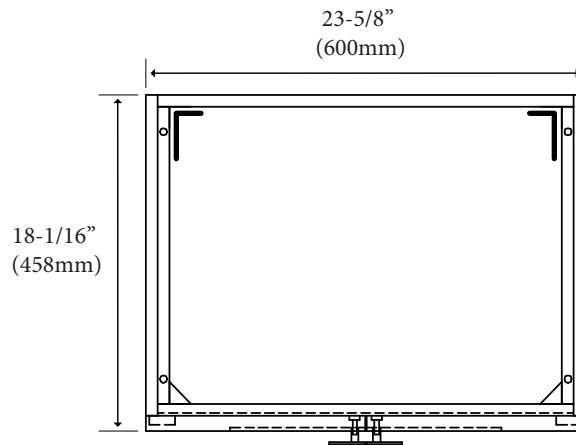
### SIDE VIEW



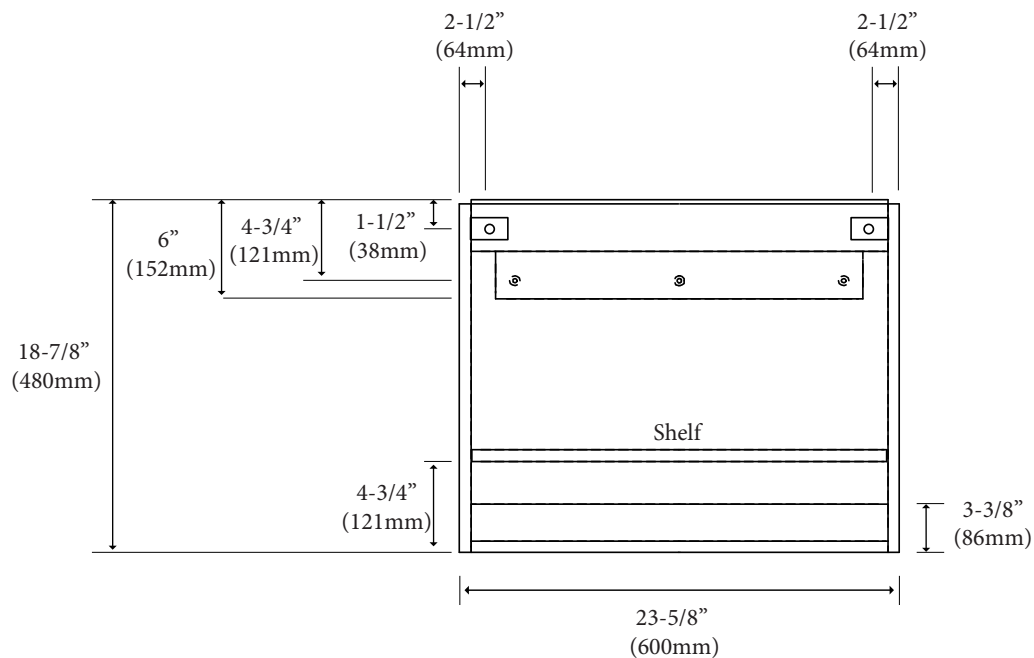
## Palermo - 24"

## Specification & Installation Guide

### TOP VIEW

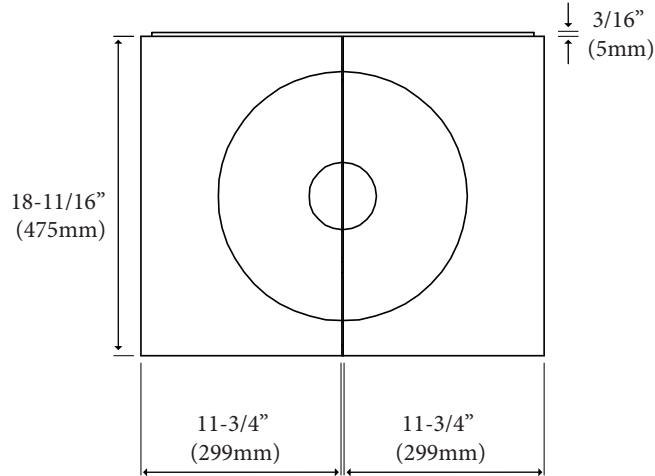


### BACK VIEW



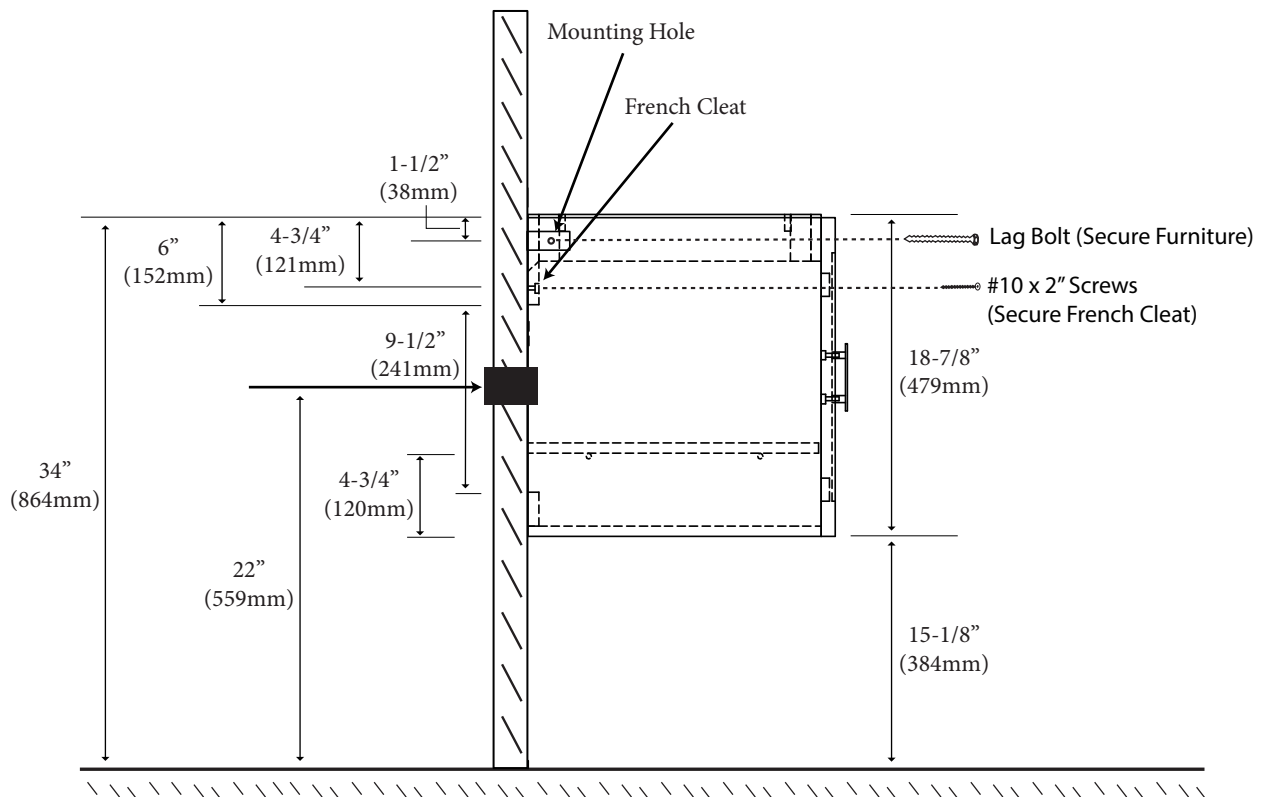
## Palermo - 24" Specification & Installation Guide

### FRONT VIEW



### TYPICAL INSTALLATION

The typical dimensions shown will result in vanity cabinet height of 34" (864mm). Depending on the countertop selected, the total height will vary from 34-9/16" (878mm) to 36-9/16" (929mm). If alternate heights are desired, adjust the rough-in and backing material heights using the dimensions provided.

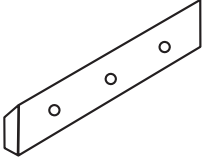






**For clarification, please contact Madeli Customer Care at (800)-819-6988 or (305)-718-8817 Ext. 1**  
All dimensions are approximate and subject to standard tolerance. Specifications subject to change without prior notice.

## Palermo - 24"

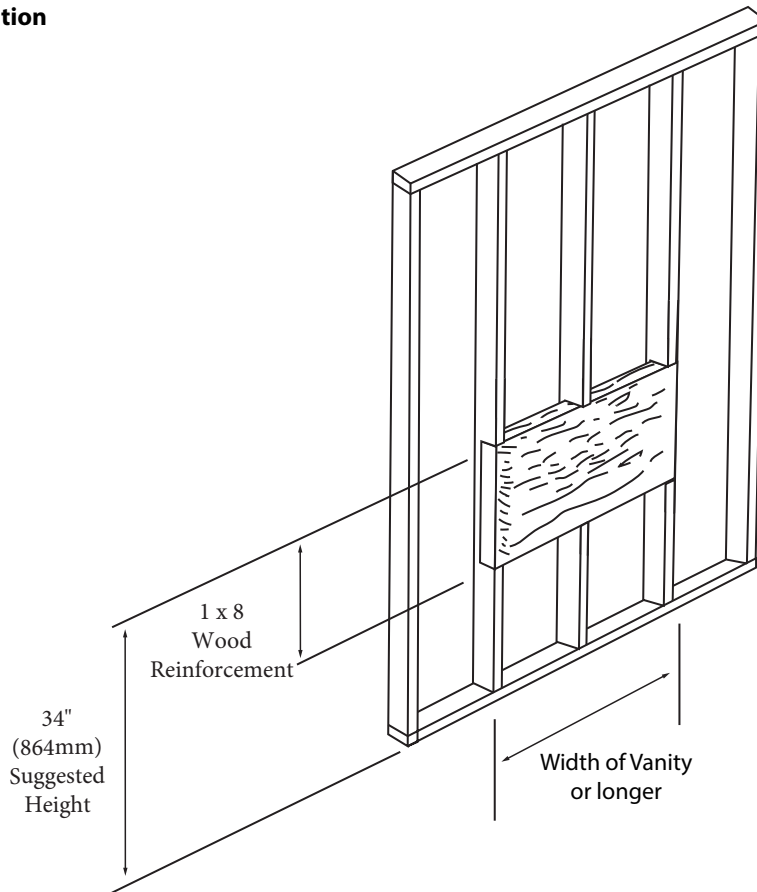
## Specification & Installation Guide

### INSTALLATION INSTRUCTIONS

Item	French Cleat	#10 x 2" Screws	Anchors	Lag Bolt	Silicone (not included)
Qty.	1	3	3	3	1
					

### STEP 1

#### Wall Preparation



**For clarification, please contact Madeli Customer Care at (800)-819-6988 or (305)-718-8817 Ext. 1**

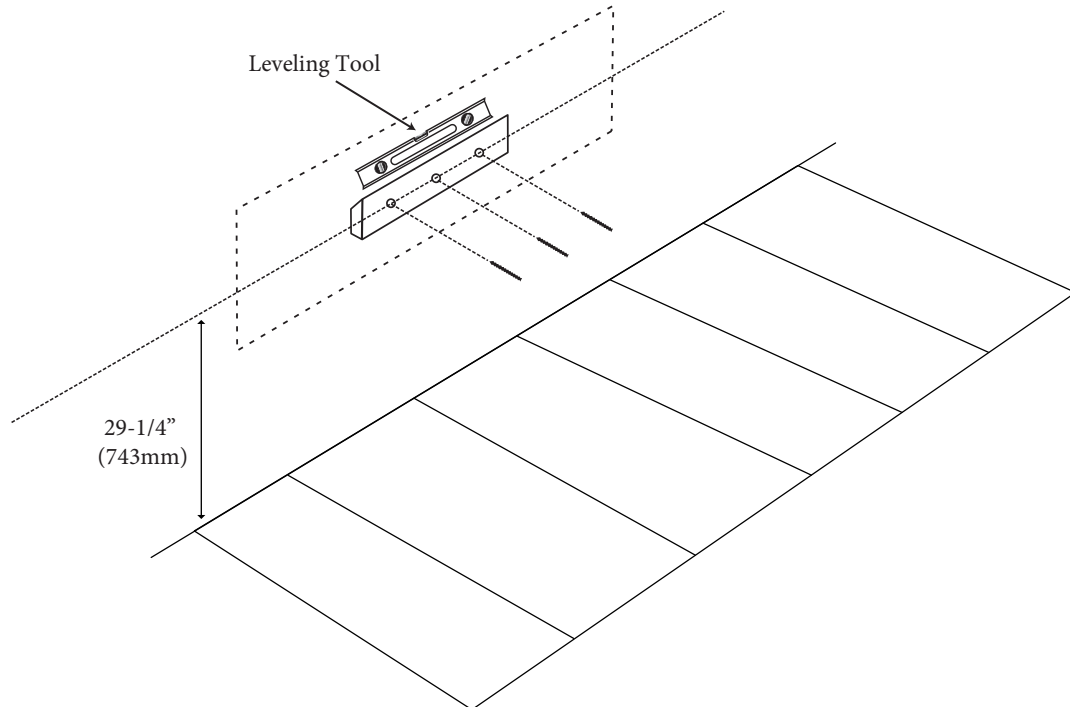
All dimensions are approximate and subject to standard tolerance. Specifications subject to change without prior notice.

## Palermo - 24"

## Specification & Installation Guide

### STEP 2

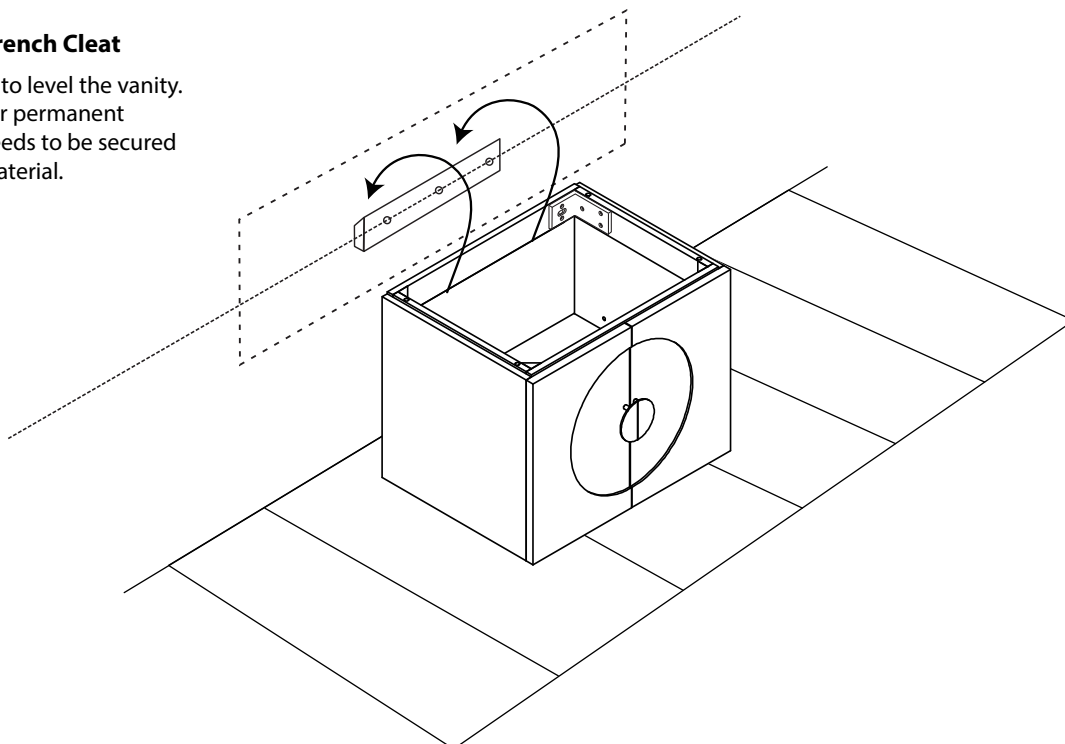
#### Install French Cleat



### STEP 3

#### Place vanity on French Cleat

French Cleat is only to level the vanity. It is not designed for permanent support. Cabinet needs to be secured to wood backing material.

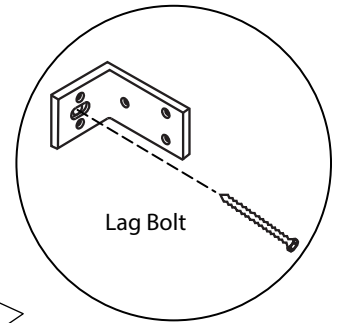
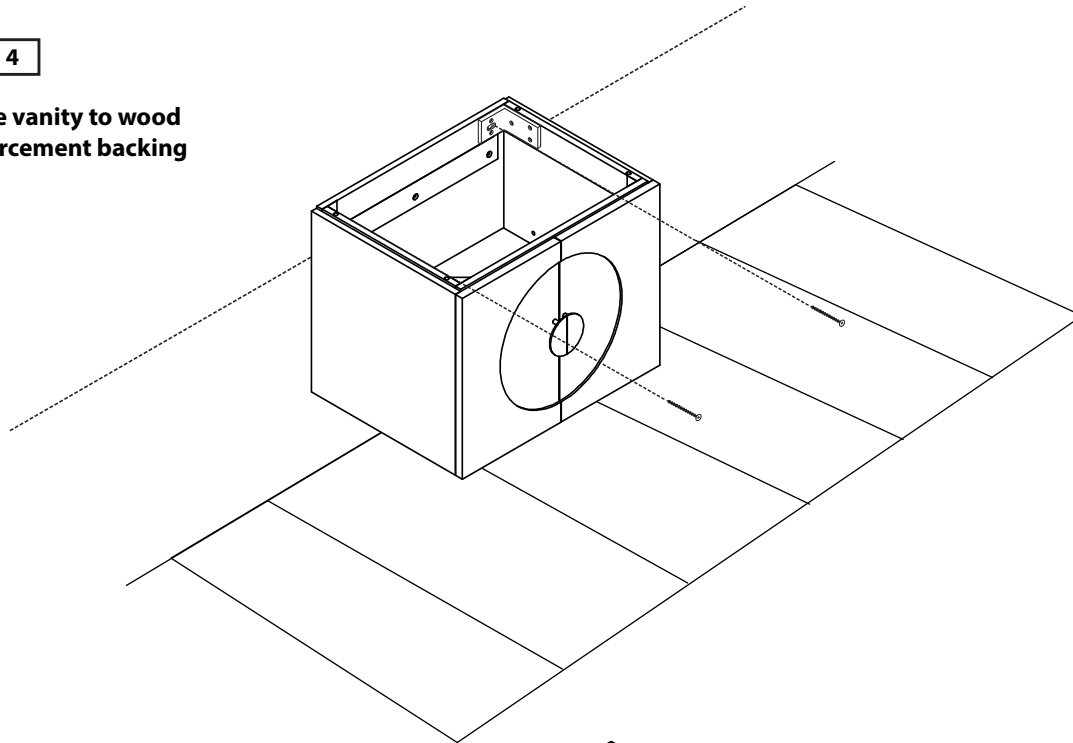


## Palermo - 24"

## Specification & Installation Guide

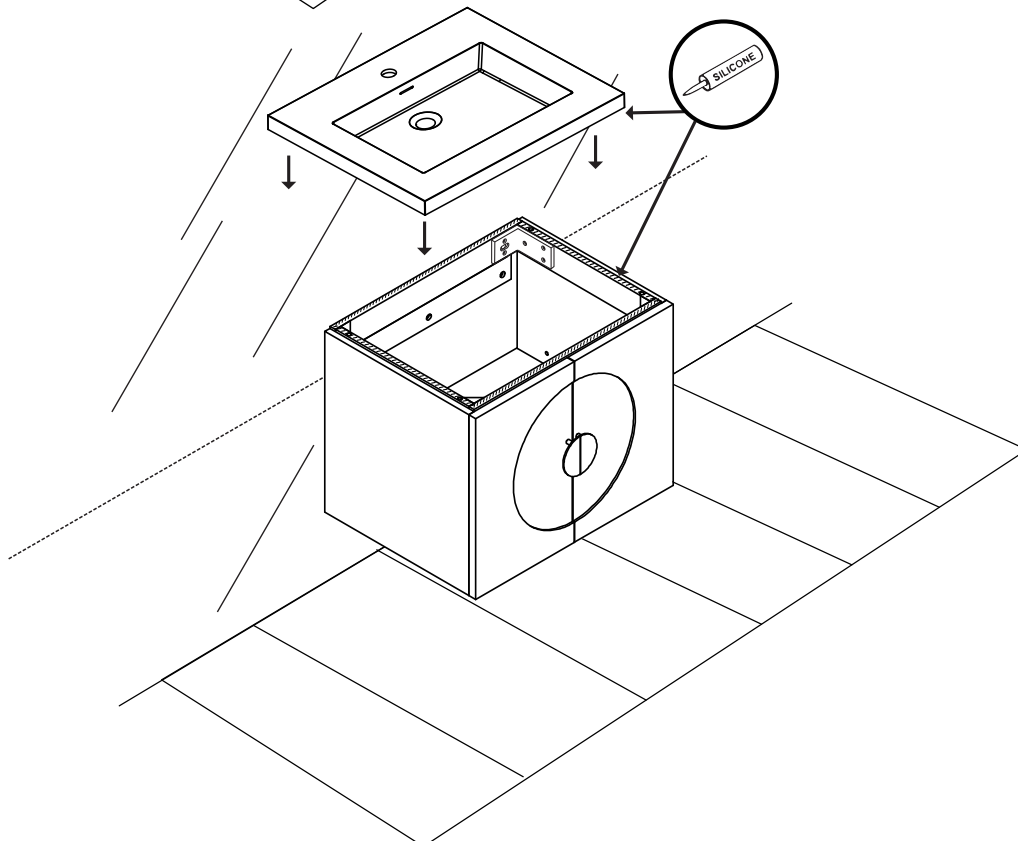
### STEP 4

Secure vanity to wood reinforcement backing



### STEP 5

Install countertop with Silicone



For clarification, please contact Madeli Customer Care at (800)-819-6988 or (305)-718-8817 Ext. 1  
All dimensions are approximate and subject to standard tolerance. Specifications subject to change without prior notice.