

Arezzo - 20"

Specification & Installation Guide

Features

- Wall hung 20" vanity : 16-1/8"(410mm)H x 19-5/16"(490mm)D x 19-5/16" (490mm)W
- Furniture grade plywood layered with solid wood veneer and protected with several coats of polyurethane.
- Matching finish inside out
- One soft-close door with European hardware
- Handle: Polished Chrome finish

Finishes

- Ash Grey (AG)
- Glossy White (GW)
- Walnut (WA)

Top/Basin options

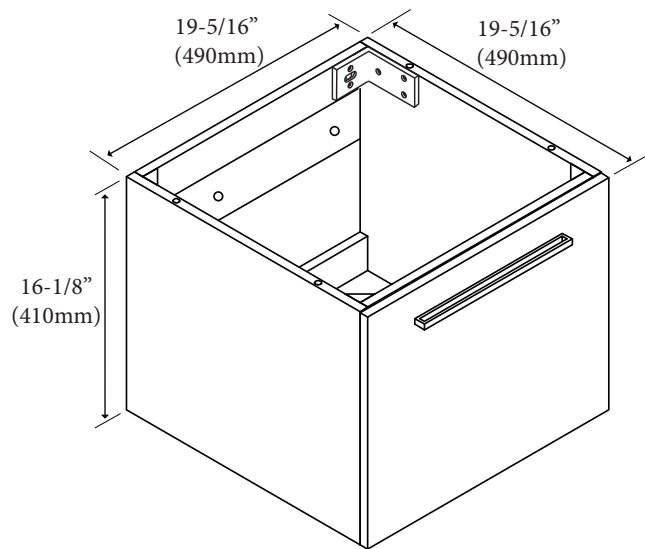
- Ceramic basin: CB-7120-WH
- X-Stone Basin: XTU-2015-20-100-WH

Package Dimension

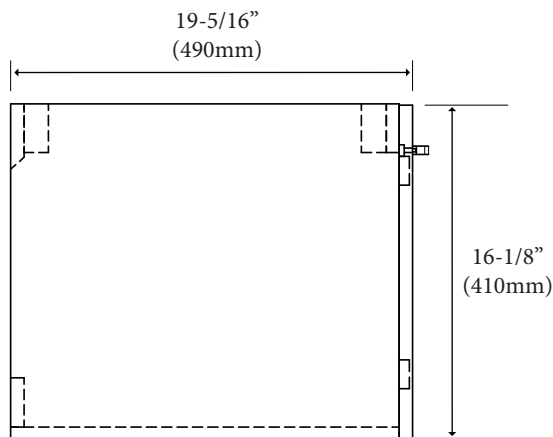
23" x 23" x 19"

Gross Weight

29 lbs / 13.18 kgs



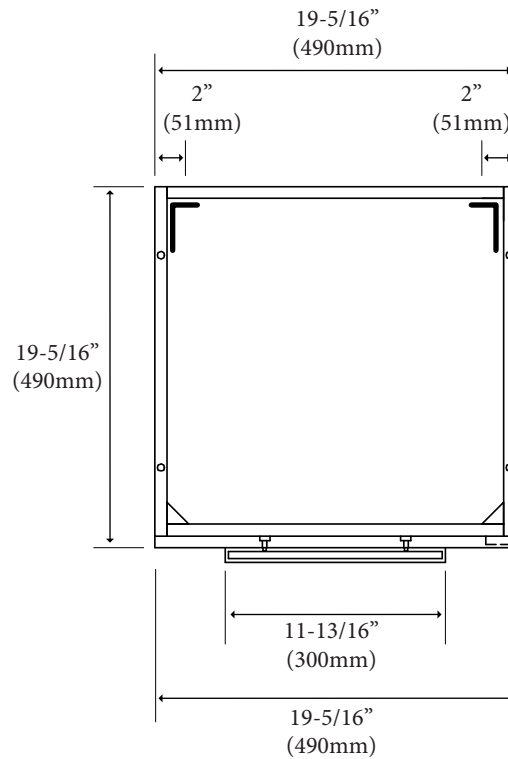
SIDE VIEW



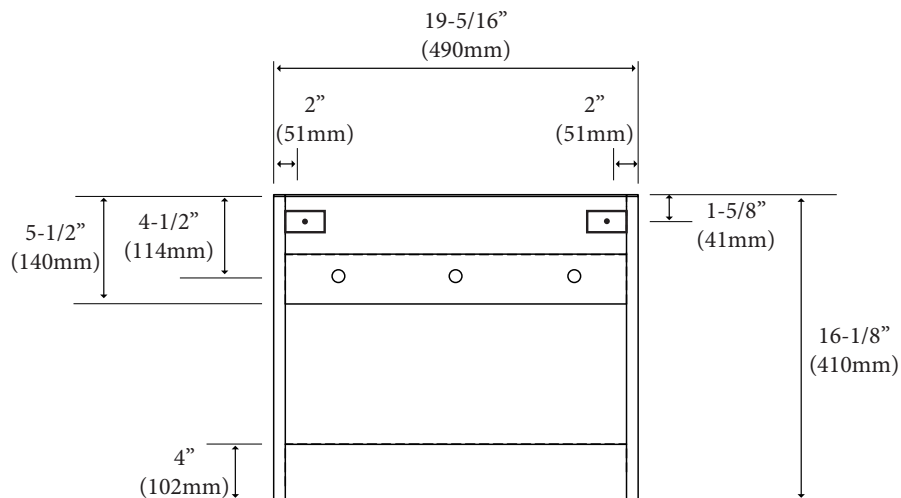
Arezzo - 20"

Specification & Installation Guide

TOP VIEW



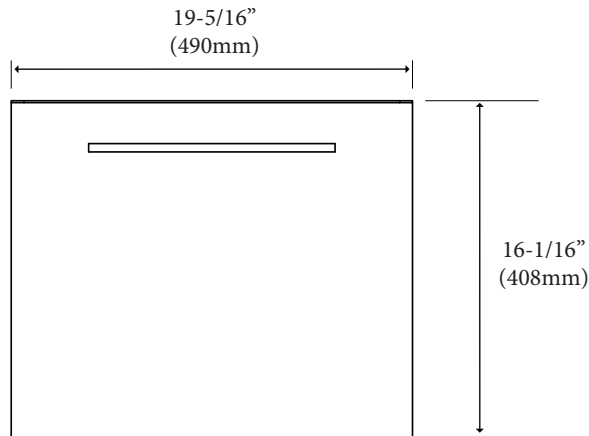
BACK VIEW



Arezzo - 20"

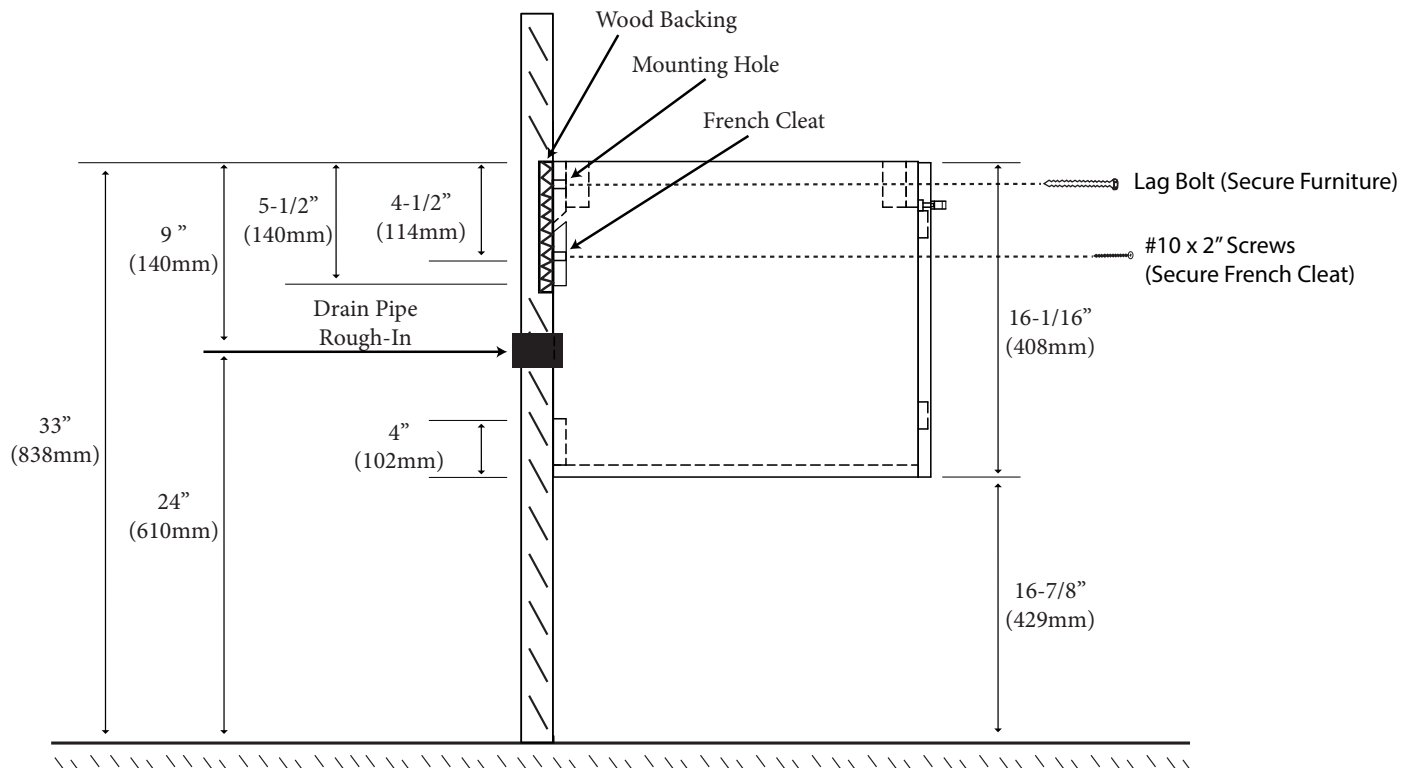
Specification & Installation Guide

FRONT VIEW



TYPICAL INSTALLATION

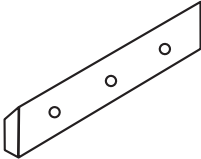




The typical dimensions shown will result in vanity cabinet height of 34" (864mm). Depending on the countertop selected, the total height will vary from 35" (889mm) to 36-1/8" (918mm). If alternate heights are desired, adjust the rough-in and backing material heights using the dimensions provided.



Arezzo - 20"

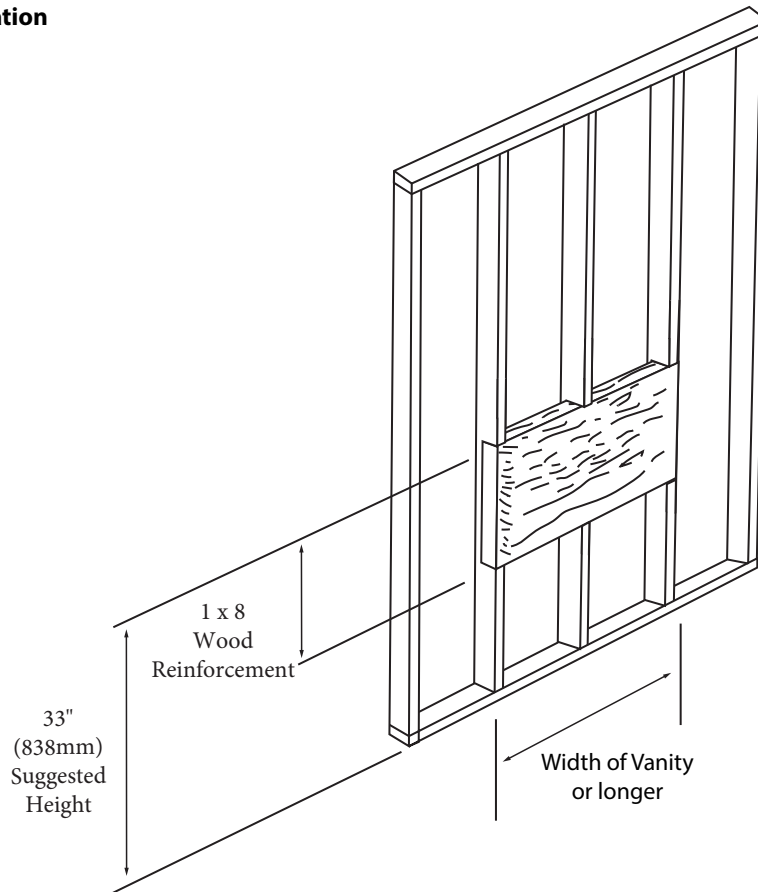
Specification & Installation Guide

INSTALLATION INSTRUCTIONS

Item	French Cleat	#10 x 2" Screws	Anchors	Lag Bolt	Silicone (not included)
Qty.	1	3	3	3	1
					

STEP 1

Wall Preparation



For clarification, please contact Madeli Customer Care at (800)-819-6988 or (305)-718-8817 Ext. 1

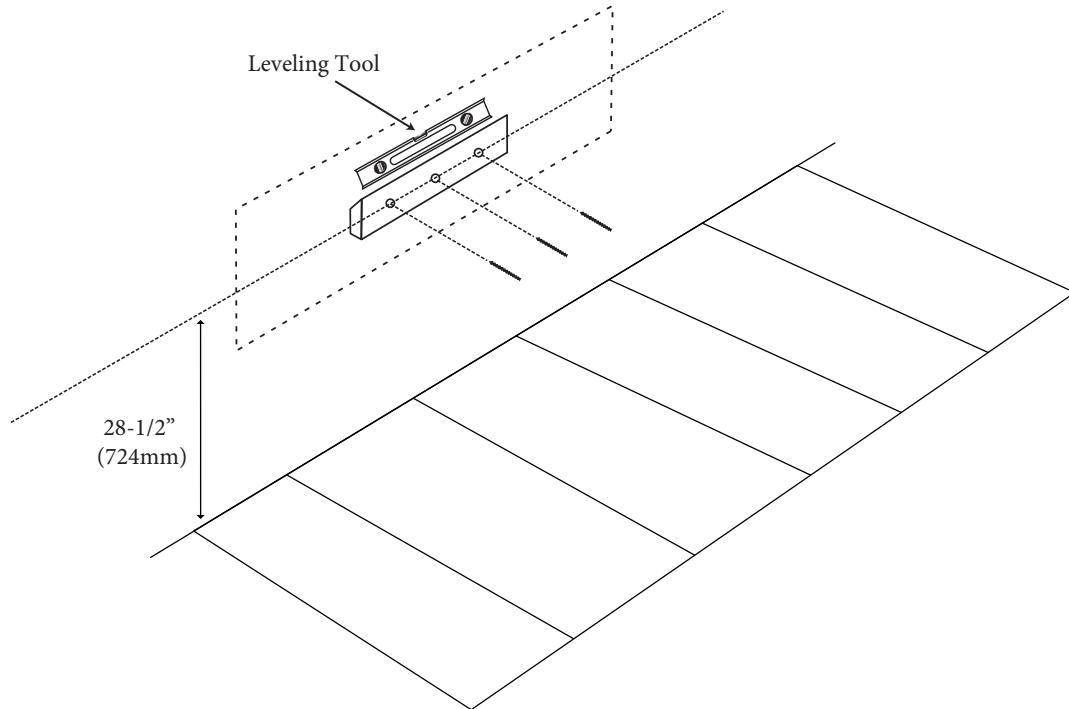
All dimensions are approximate and subject to standard tolerance. Specifications subject to change without prior notice.

Arezzo - 20"

Specification & Installation Guide

STEP 2

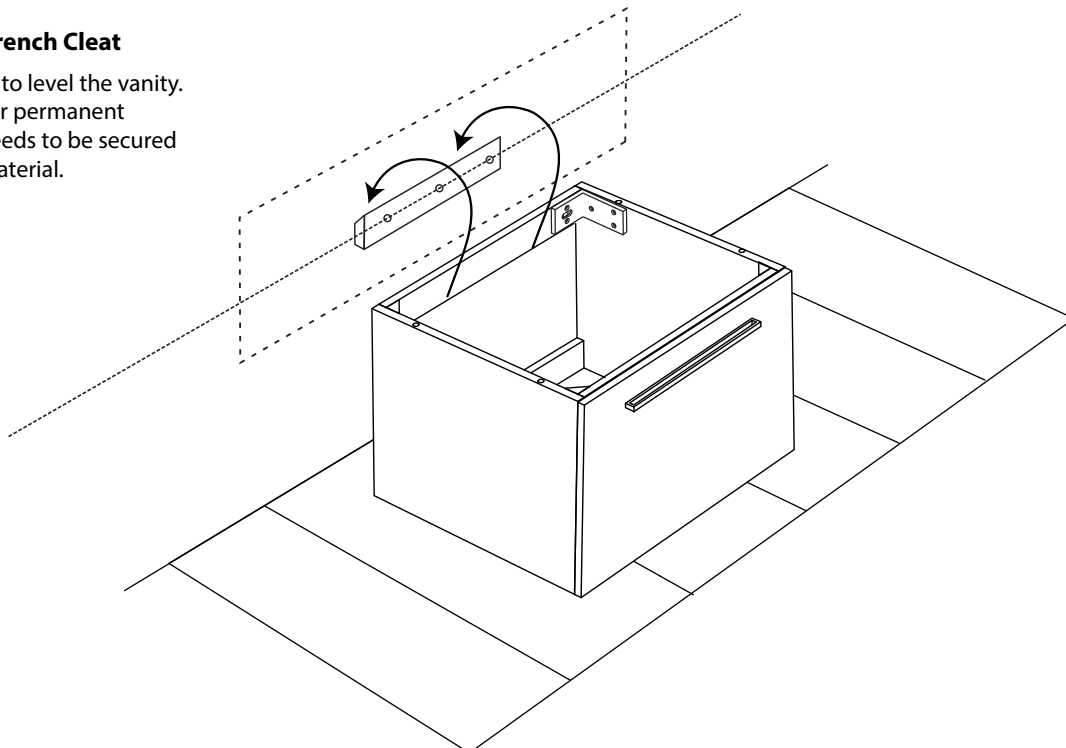
Install French Cleat



STEP 3

Place vanity on French Cleat

French Cleat is only to level the vanity. It is not designed for permanent support. Cabinet needs to be secured to wood backing material.

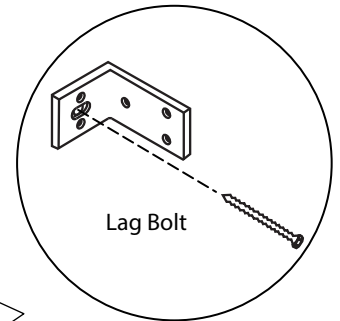
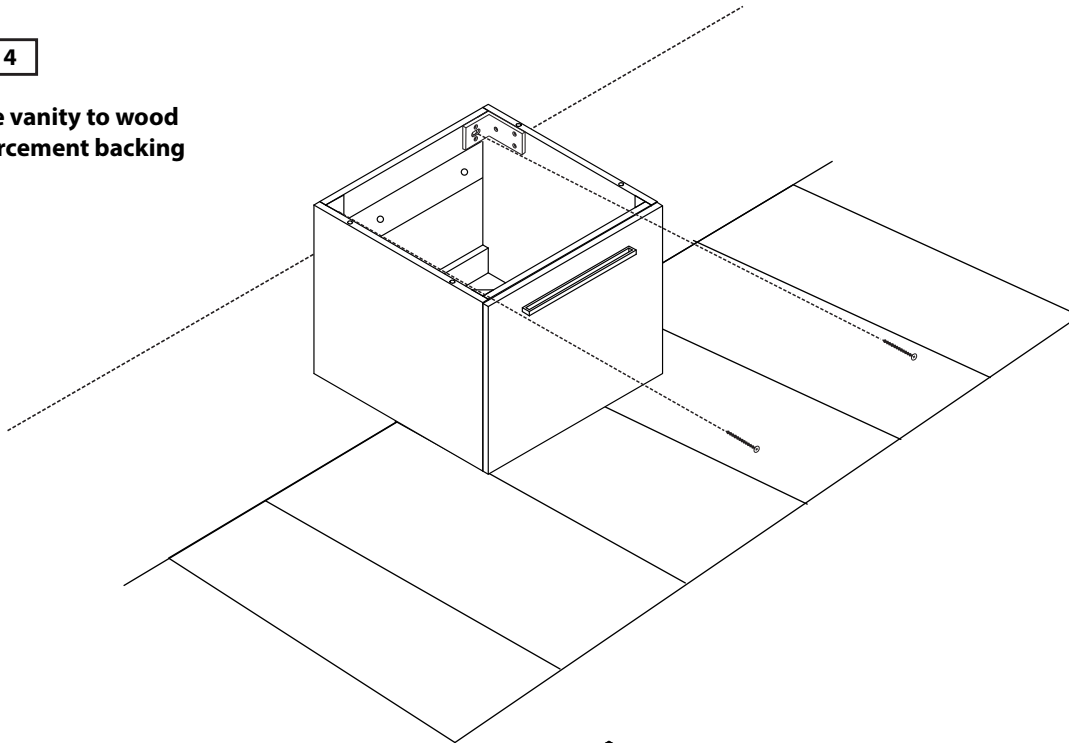


Arezzo - 20"

Specification & Installation Guide

STEP 4

Secure vanity to wood reinforcement backing



STEP 5

Install countertop with Silicone

